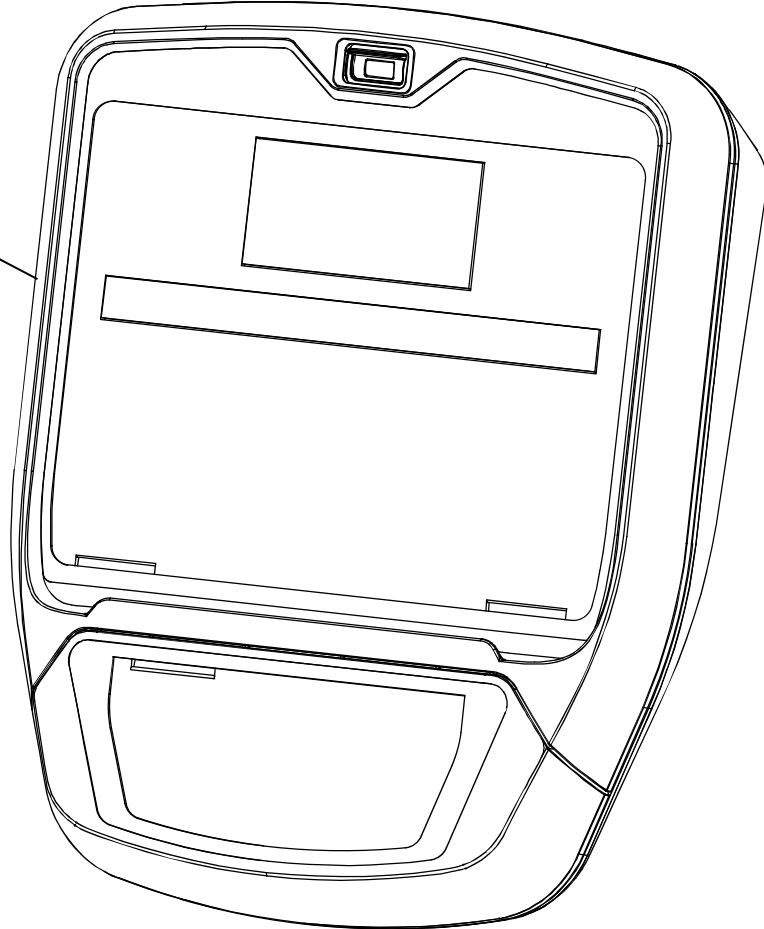


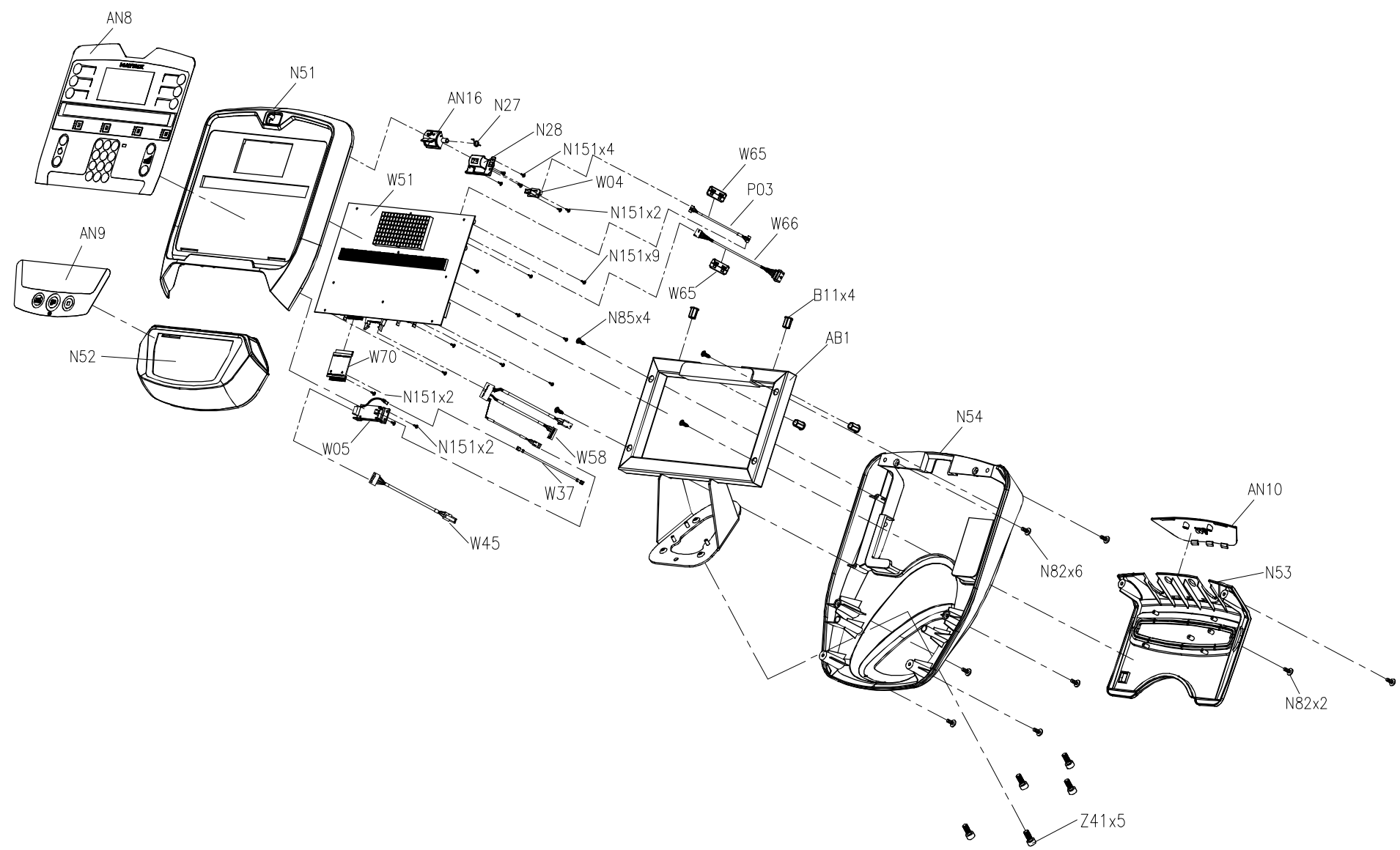
DRAWING NO	EP622-A04		
PART NAME	ASSEMBLY VIEW		
PART NO	1000352802 A		
APPROVE	Jarvis	DATE	2015.03.02

SAP PART NO
MEP0445-00
MEP0465-00

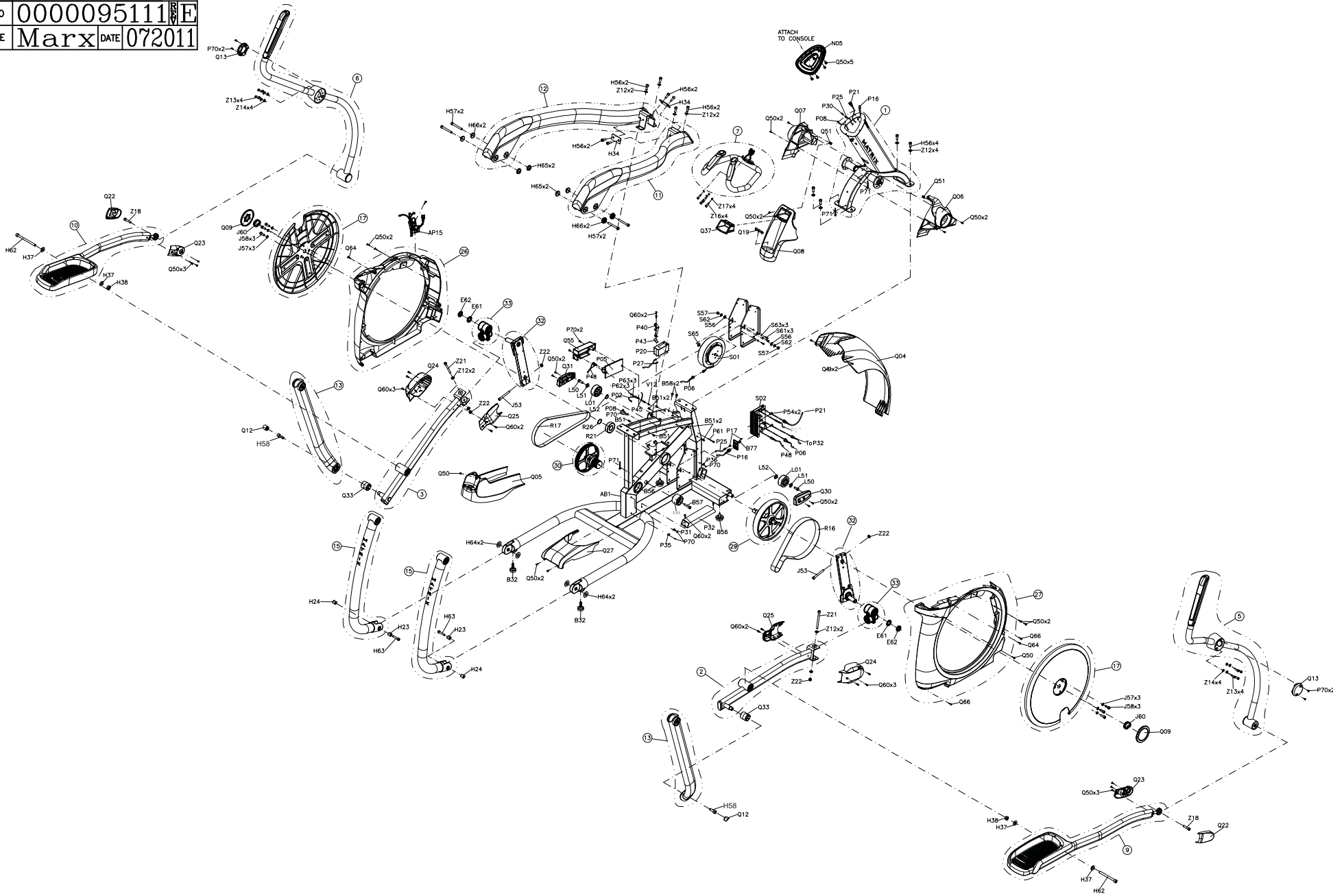
21



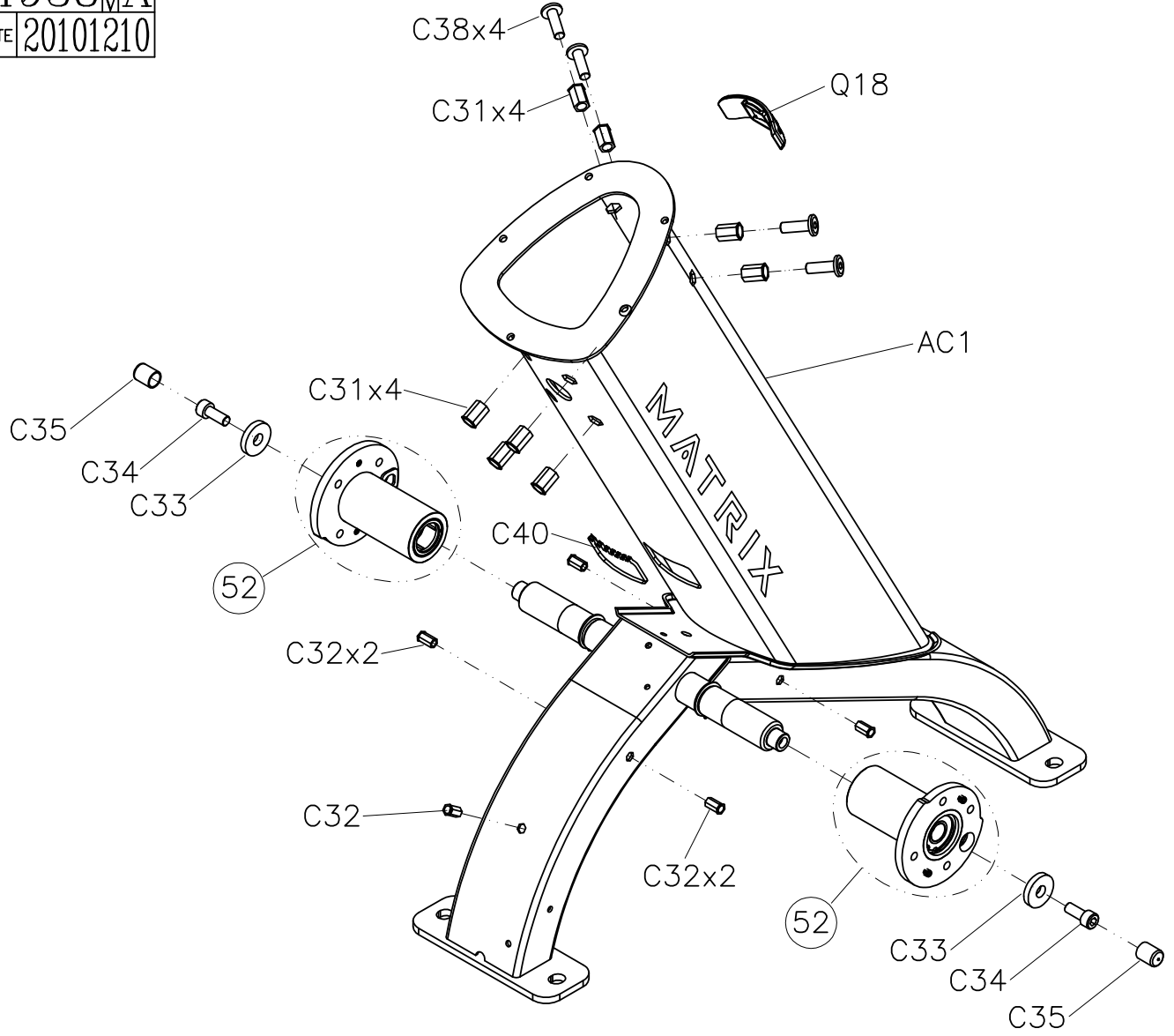
DRAWING NO	EP622-AN11		
PART NAME	CONSOLE SET		
PART NO	1000352804 <small>REV A</small>		
APPROVE	JARVIS	DATE	20150306



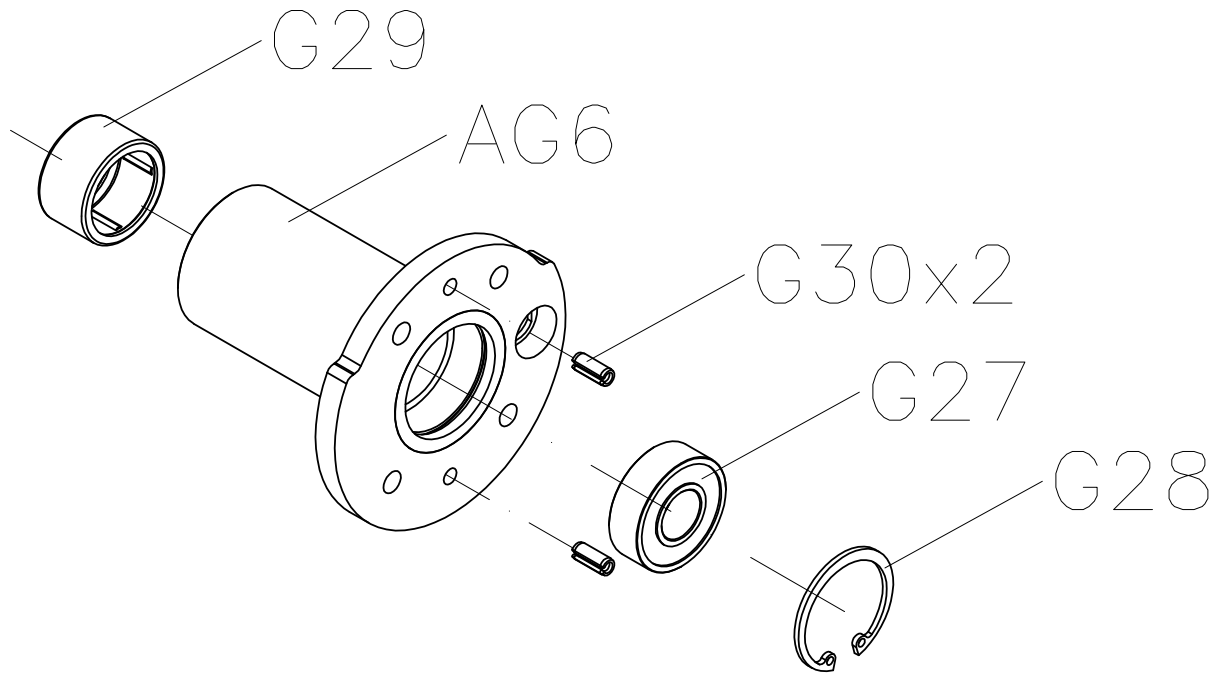
DRAWING NO	EP304-A04		
PART NAME	EXPLODED DIAWING		
PART NO	0000095111		
APPROVE	Marx	DATE	072011



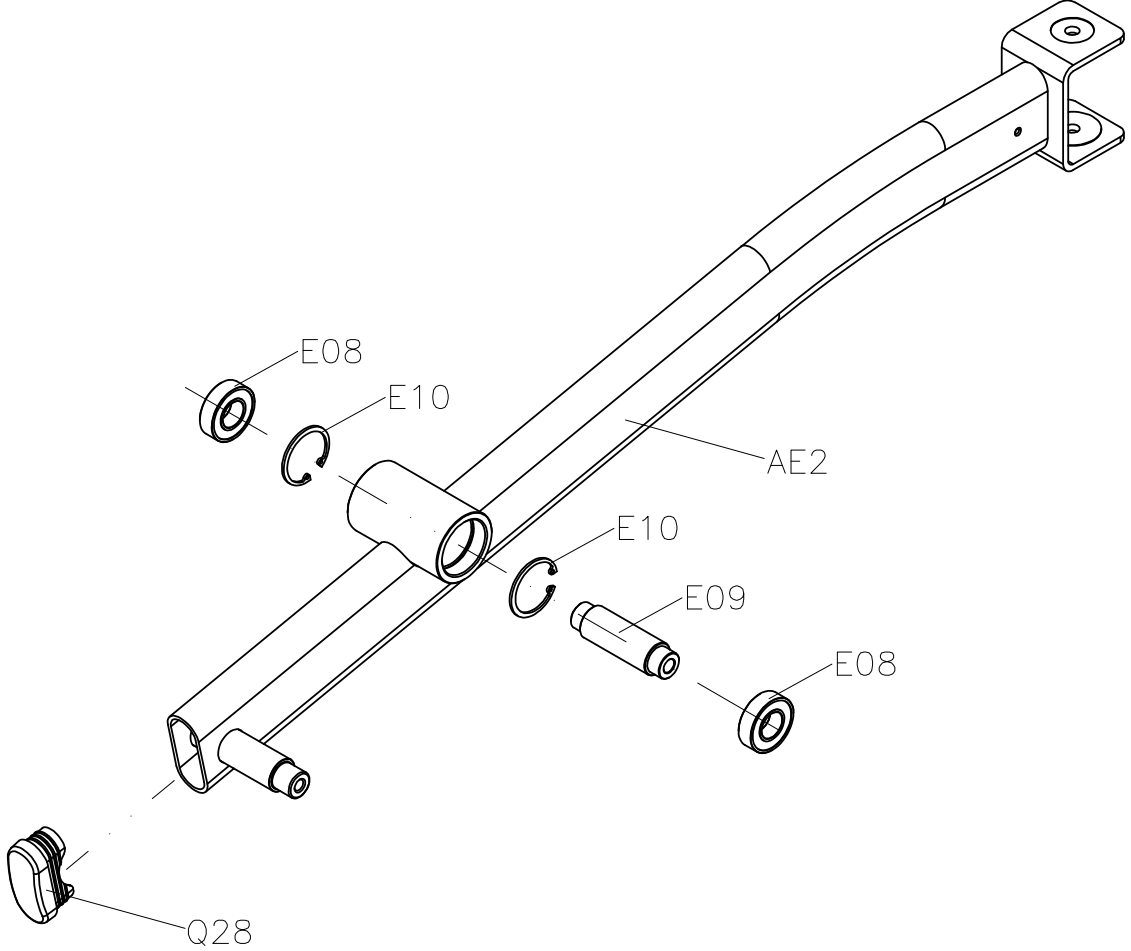
DRAWING NO	EP304-AC11		
PART NAME	CONSOLE MAST SET		
PART NO	0000094938	REV	A
APPROVE	MAX	DATE	20101210



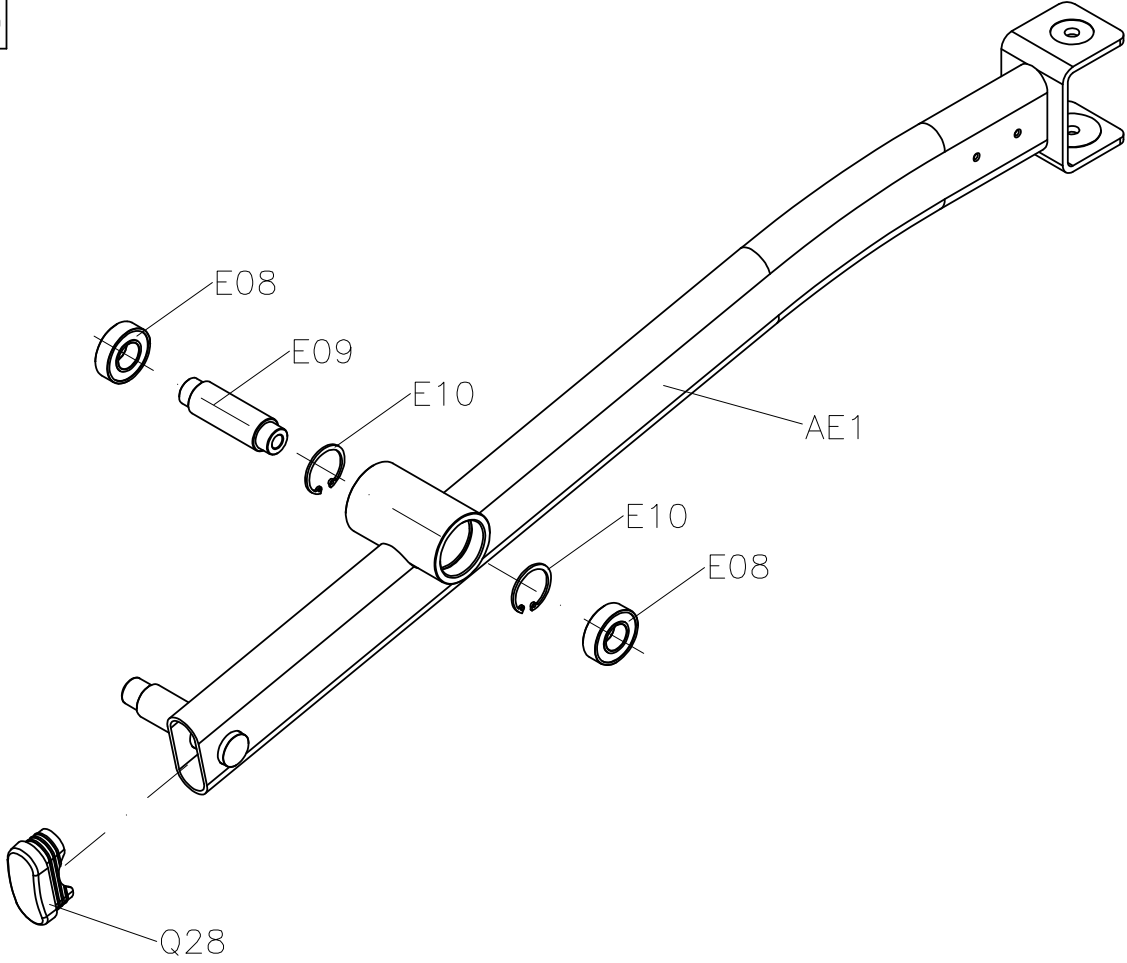
DRAWING NO	EP304-AG15		
PART NAME	ROTATION HOUSING ASSEMBLY SET		
PART NO	0000094951  A		
APPROVE	MAX	DATE	20101210



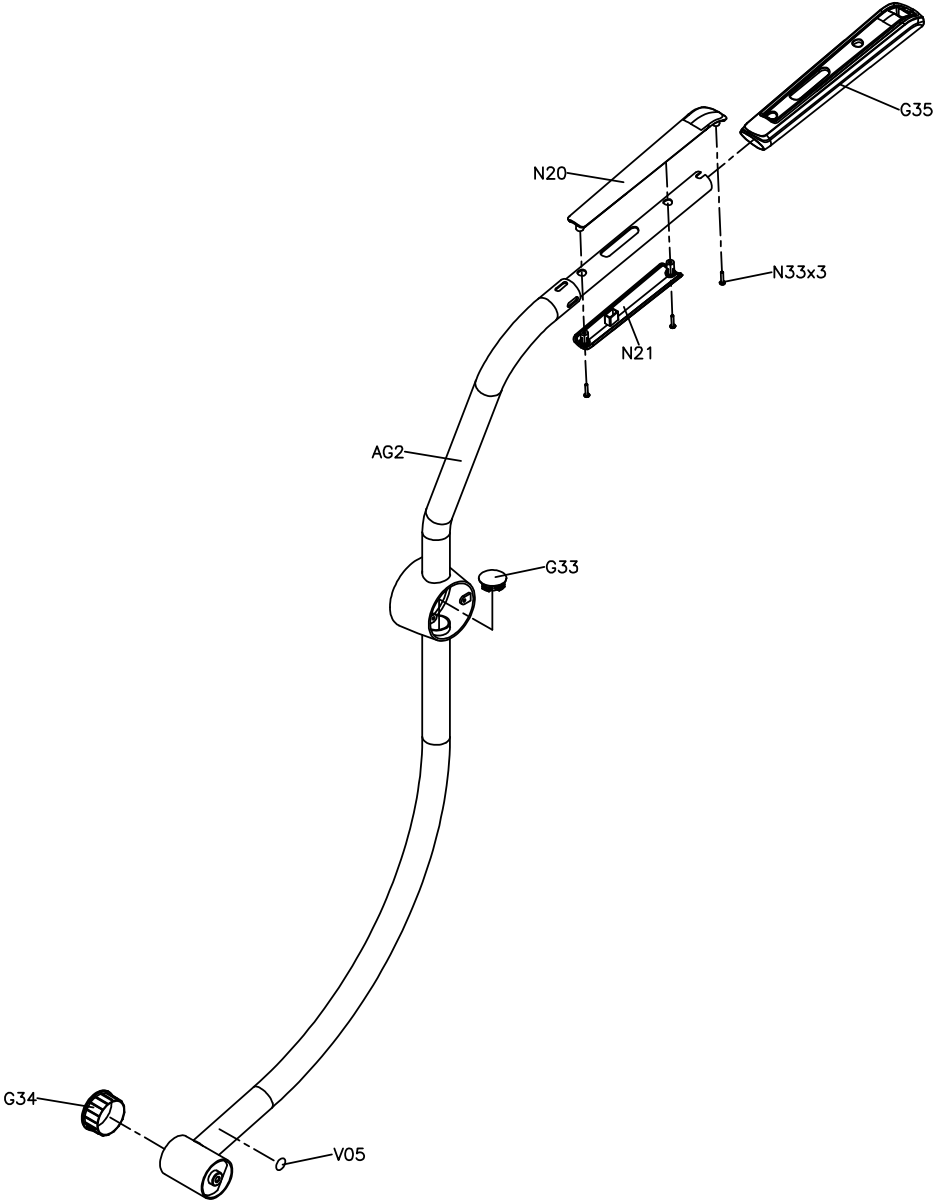
DRAWING NO	EP304-AE11		
PART NAME	RIGHT PEDAL ARM SET		
PART NO	0000094984	REV	A
APPROVE	MAX	DATE	20101210



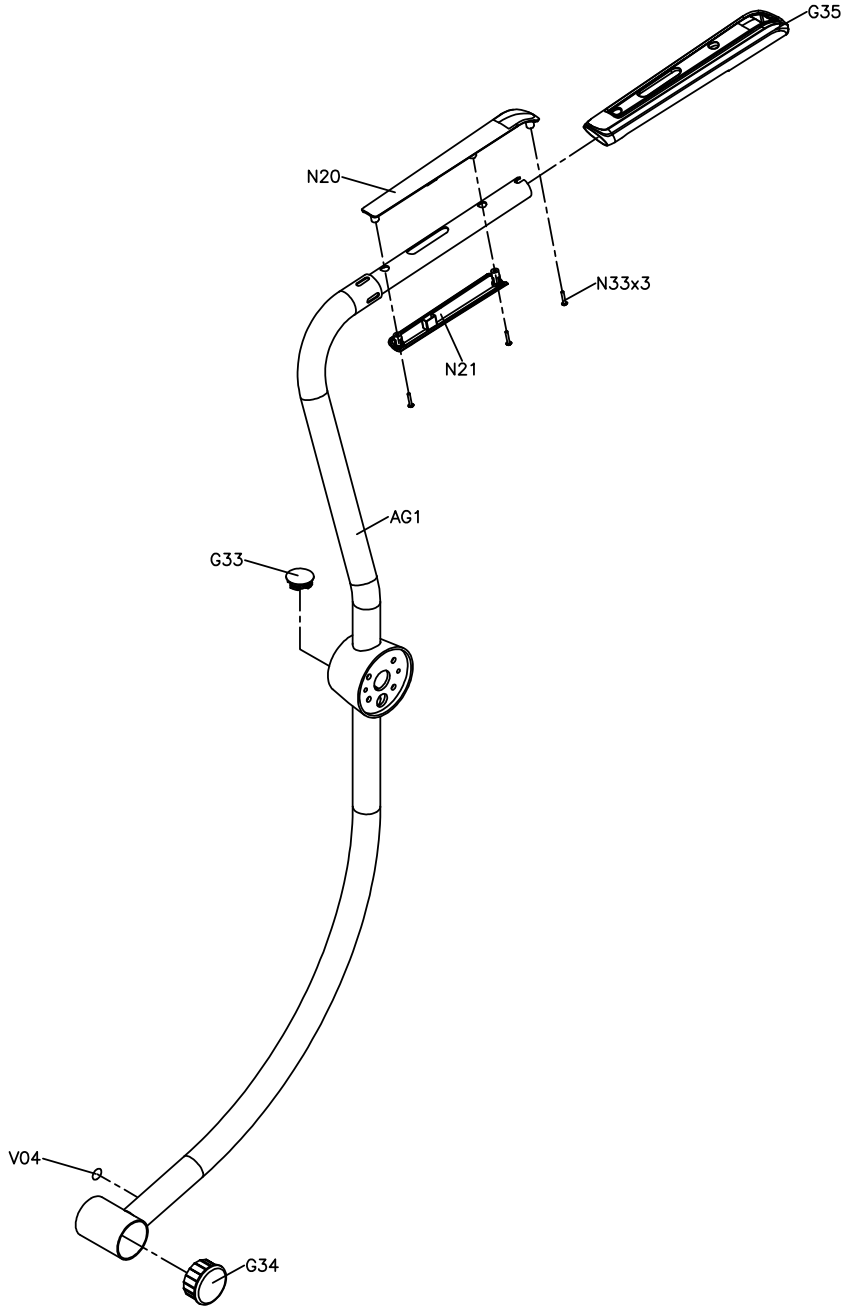
DRAWING NO	EP304-AE12		
PART NAME	LEFT PEDAL ARM SET		
PART NO	0000094991	REV	A
APPROVE	MAX	DATE	20101210



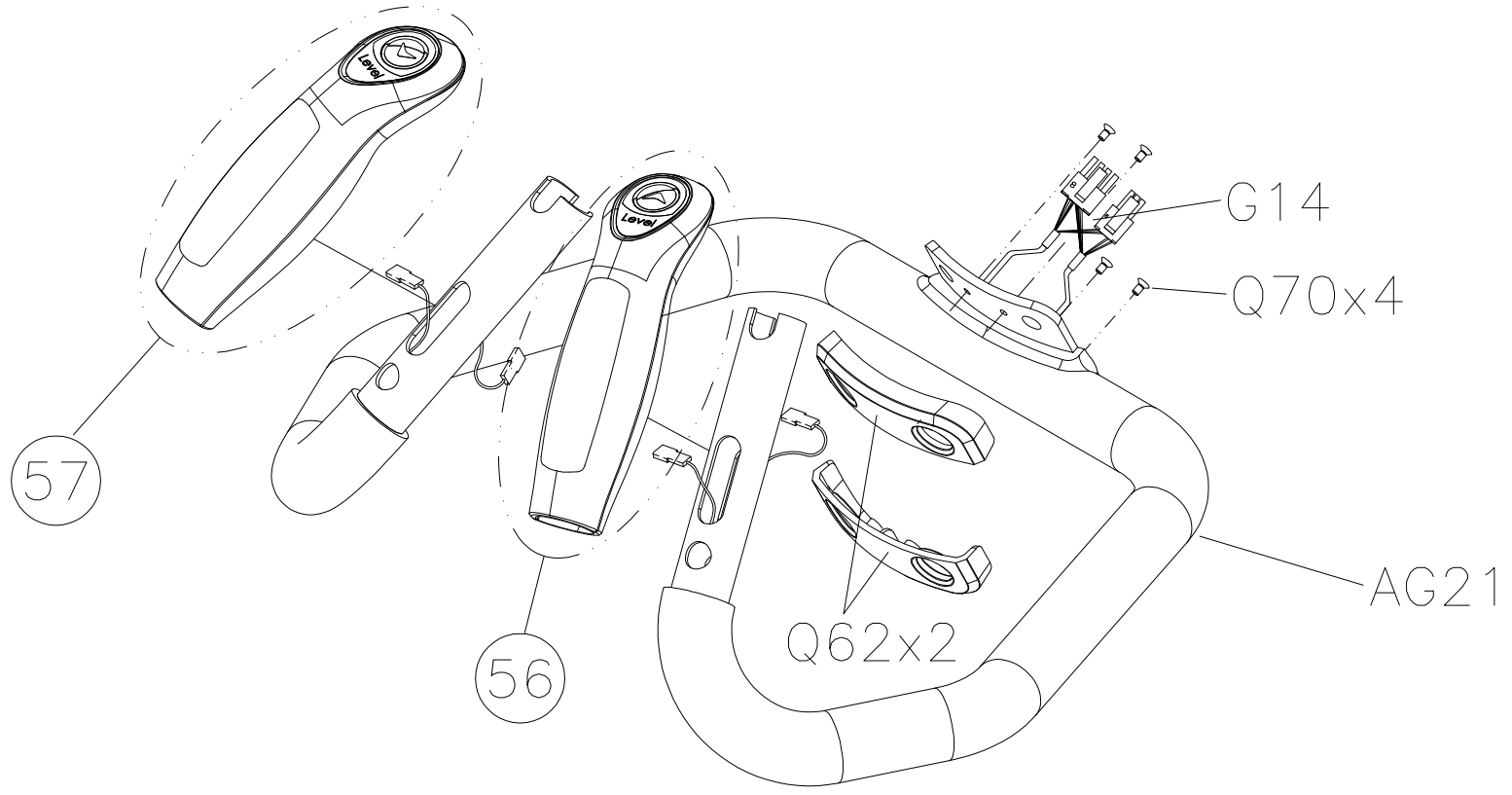
DRAWING NO	EP304-AG11		
PART NAME	RIGHT HANDLEBAR SET		
PART NO	0000094964	REV	A
APPROVE	MAX	DATE	20101210



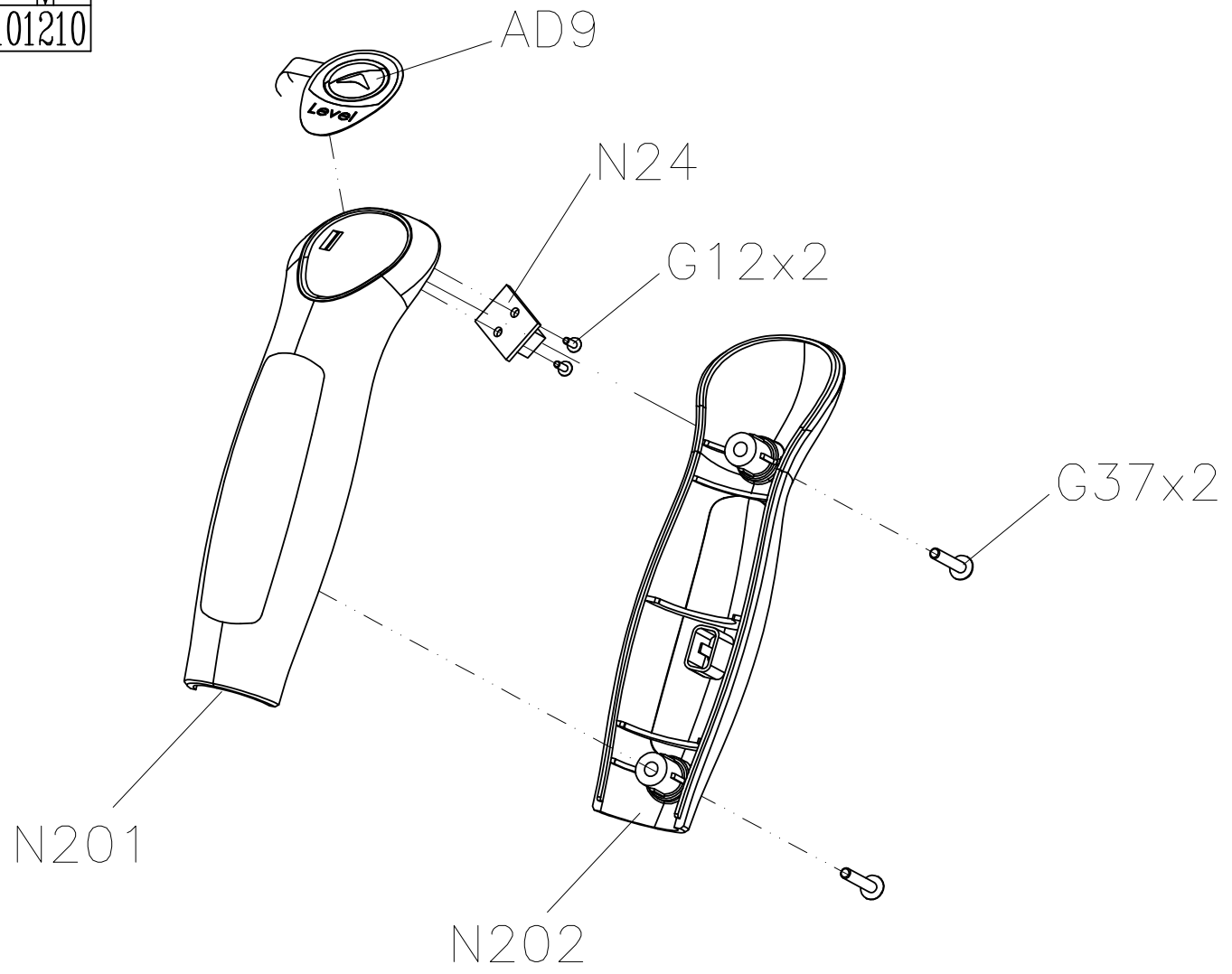
DRAWING NO	EP304-AG12		
PART NAME	LEFT HANDLEBAR SET		
PART NO	0000094977	REV	A
APPROVE	Max	DATE	20101210



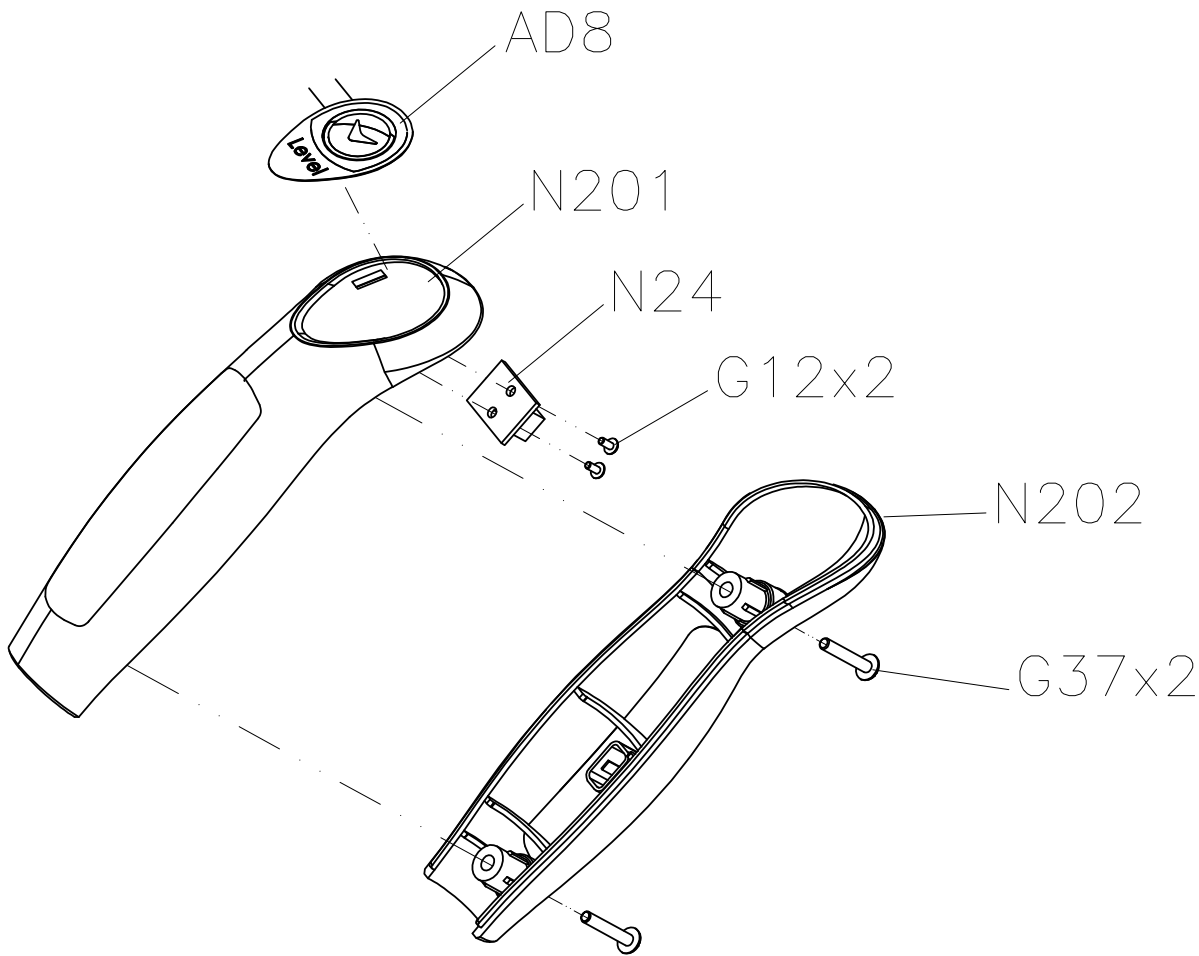
DRAWING NO	EP306-AG13		
PART NAME	HANDLE BAR SET		
PART NO	0000094965		B
APPROVE	Hsinyen	DATE	20110329



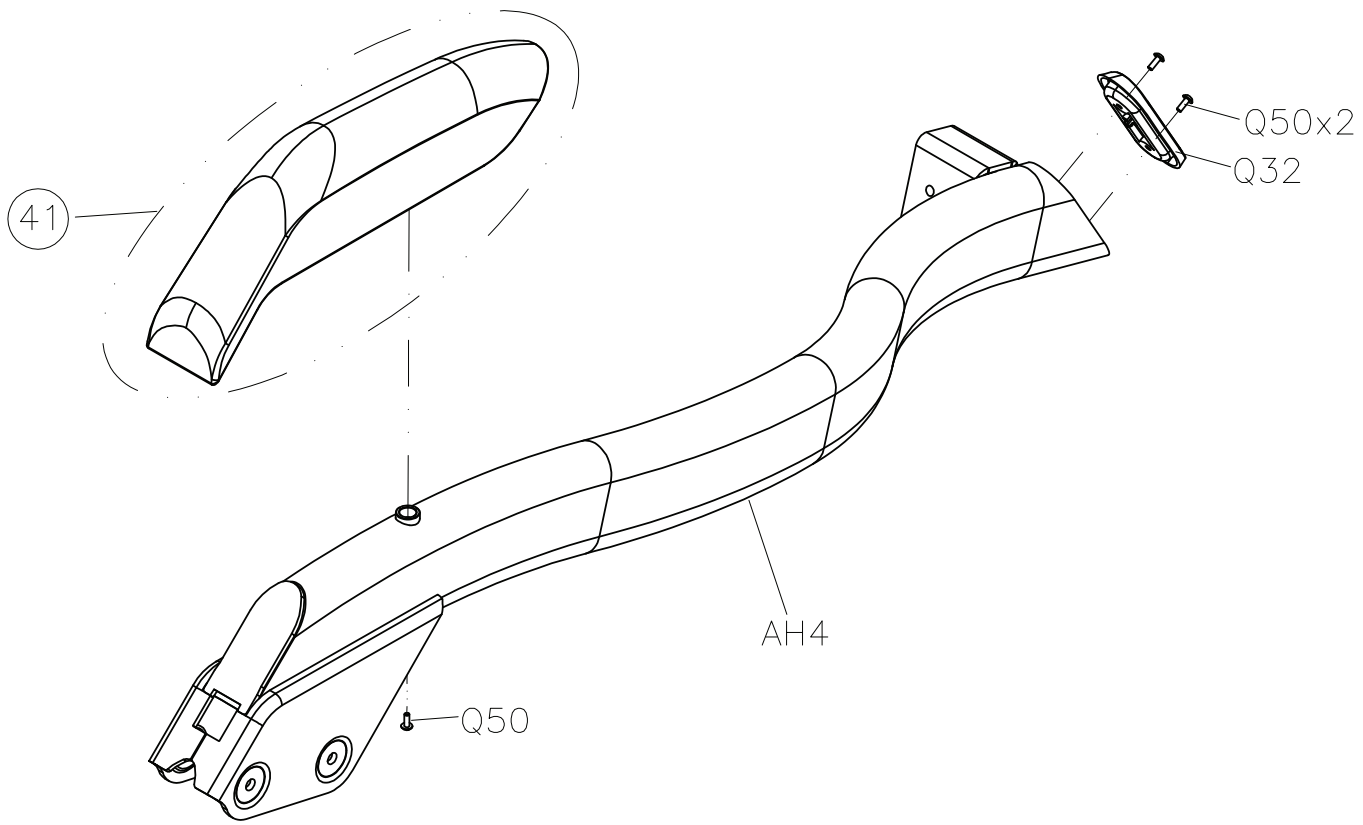
DRAWING NO	EP304-AN21		
PART NAME	RIGHT HR GRIP SET		
PART NO	1000206953	REV	A
APPROVE	MAX	DATE	20101210



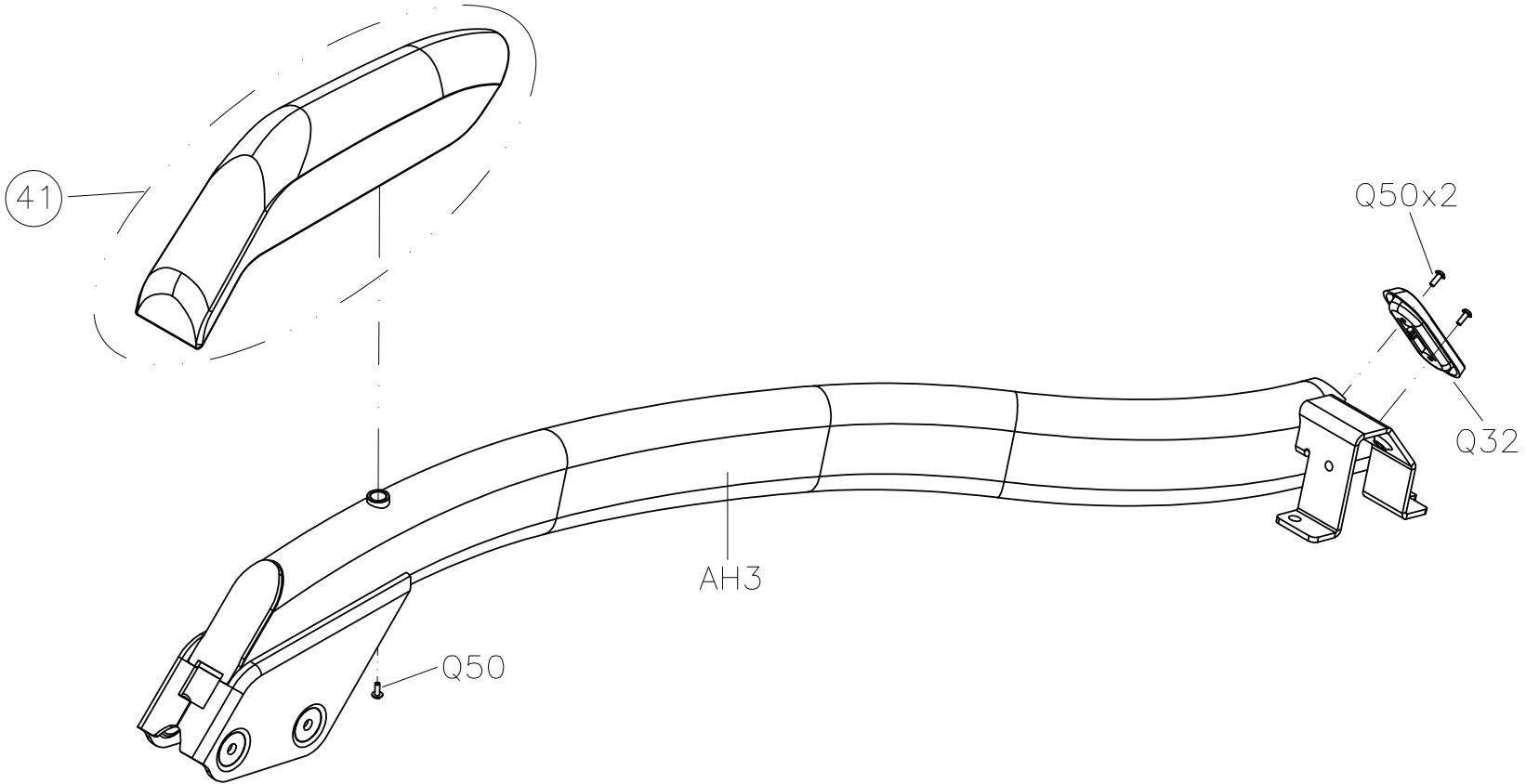
DRAWING NO	EP304-AN22		
PART NAME	LEFT HR GRIP SET		
PART NO	1000206959	REV	A
APPROVE	MAX	DATE	20101210



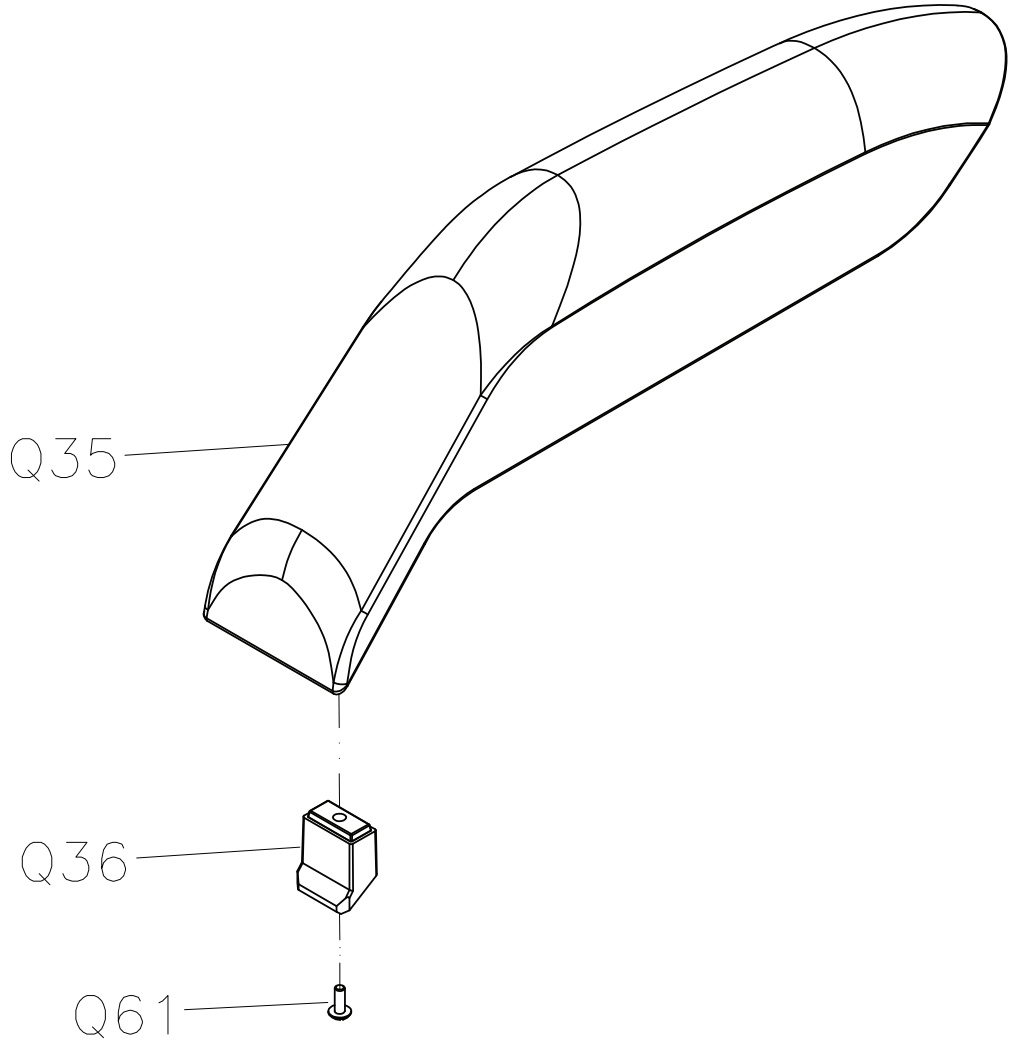
DRAWING NO	EP304-AH23		
PART NAME	RIGHT CONNECTION ARM SET		
PART NO			REV A
APPROVE	MAX	DATE	20101210



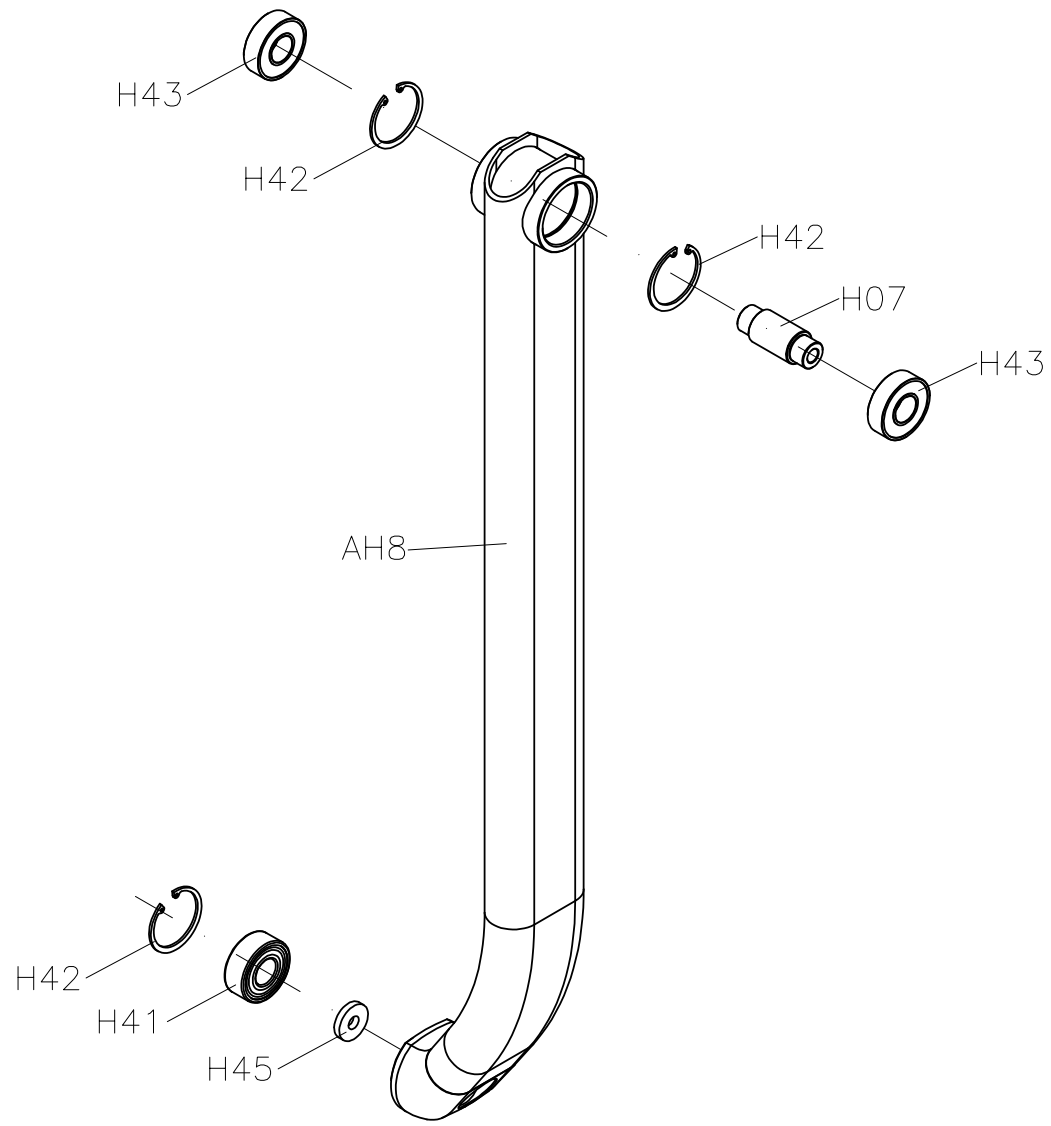
DRAWING NO	EP304-AH24		
PART NAME	LEFT CONNECTION ARM SET		
PART NO		REV	A
APPROVE	MAX	DATE	20101210




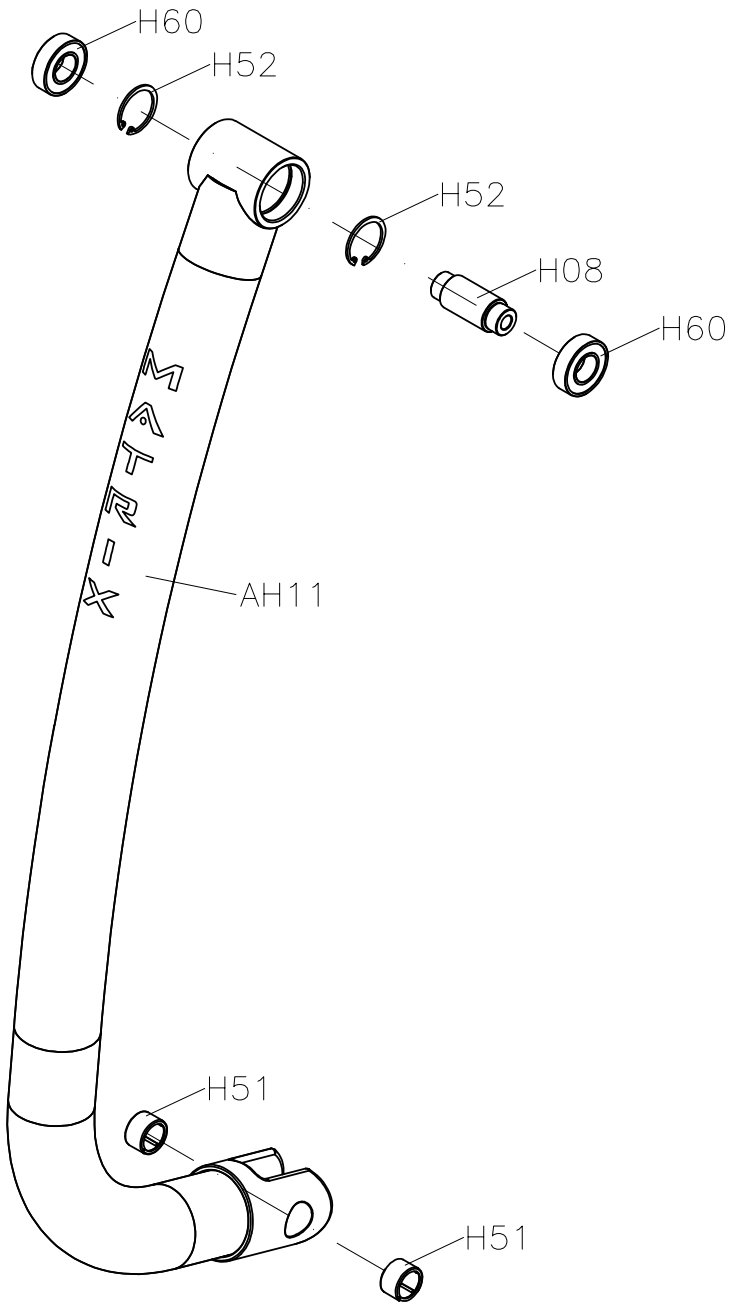
DRAWING NO	EP304-AQ21		
PART NAME	Incline arm cover		
PART NO		REV	A
APPROVE	MAX	DATE	20101210



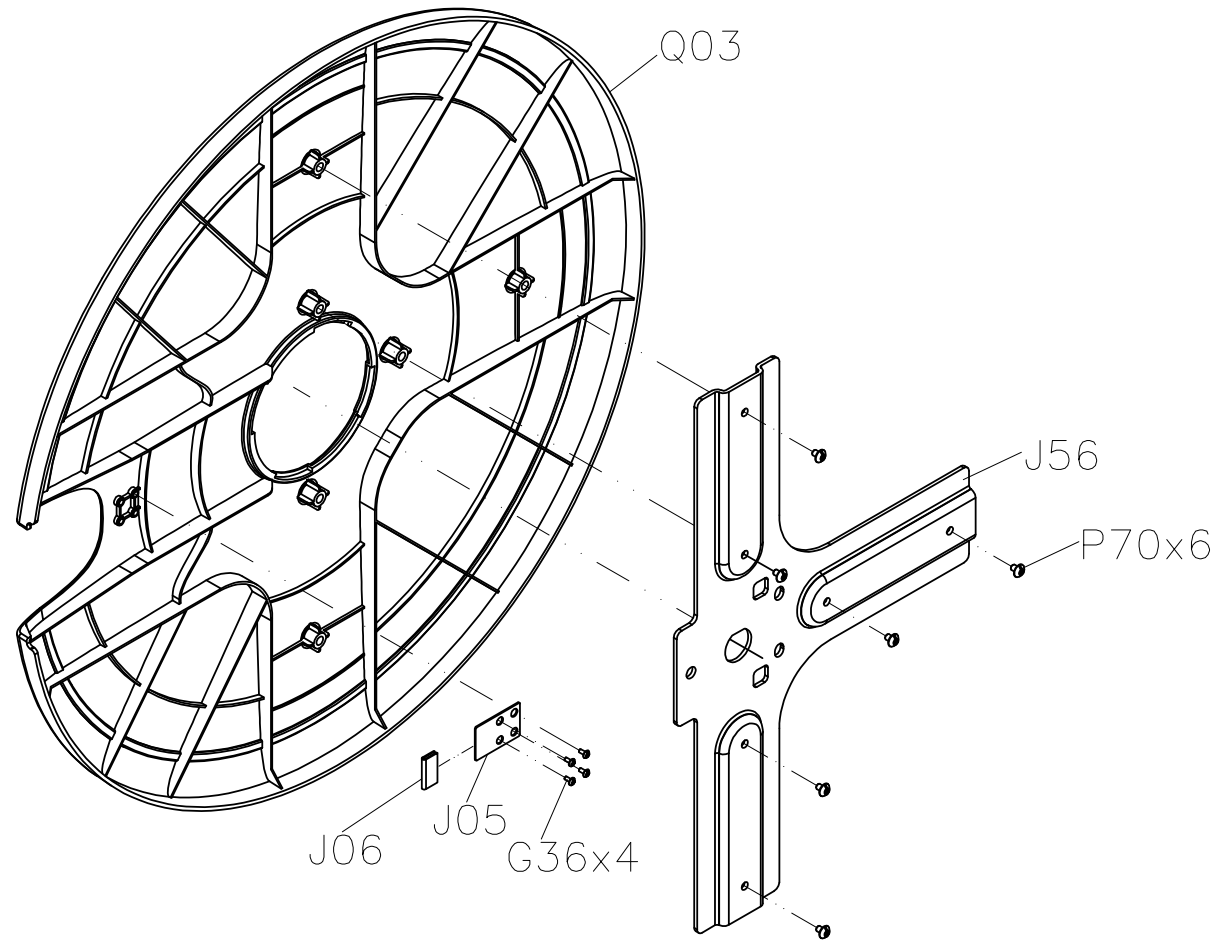
DRAWING NO	EP304-AH25		
PART NAME	SWING ARM SET		
PART NO	0000095028 <small>REV</small> B		
APPROVE	MAX	DATE	20110630



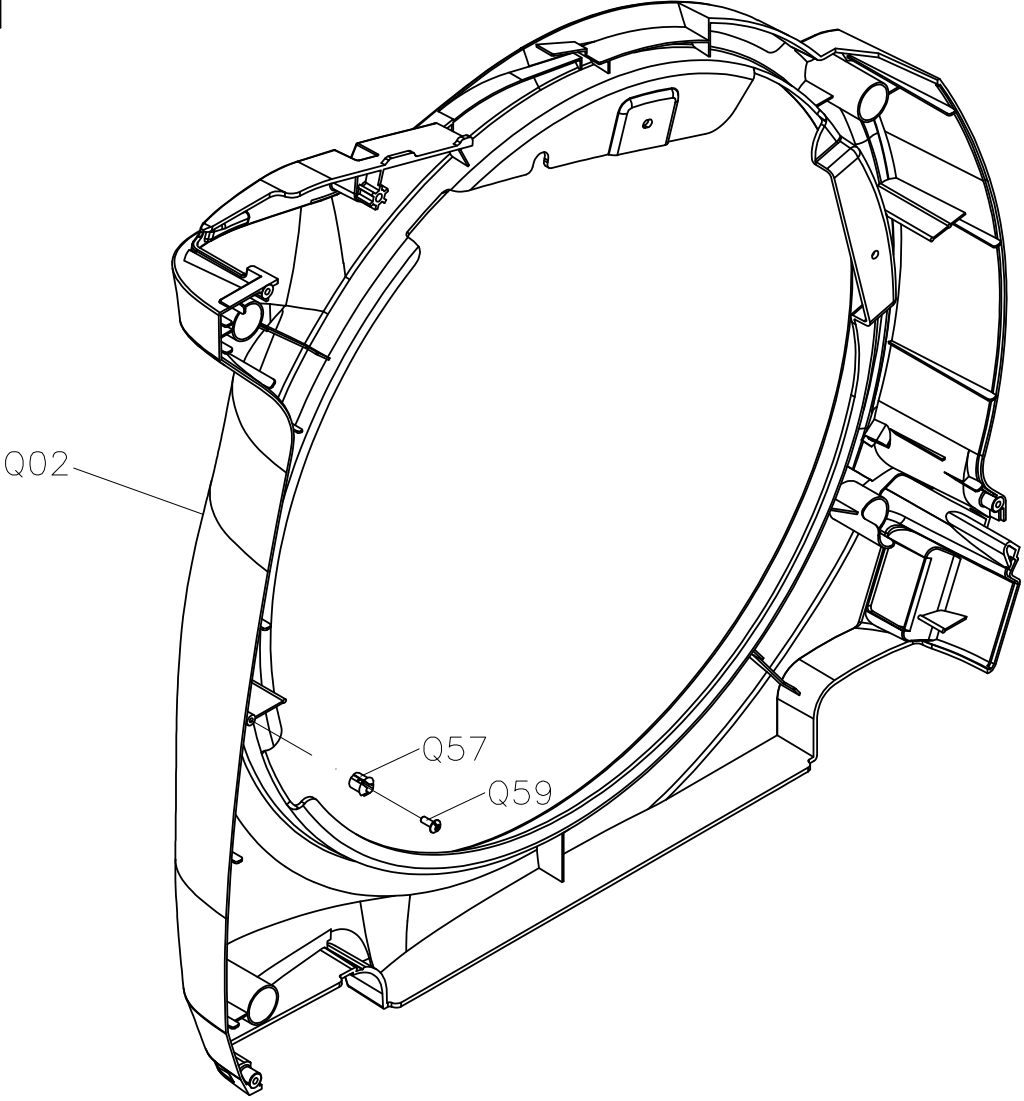
DRAWING NO	EP304-AH26		
PART NAME	ADJUSTMENT ARM SET		
PART NO	0000095043  B		
APPROVE	MAX	DATE	20110630



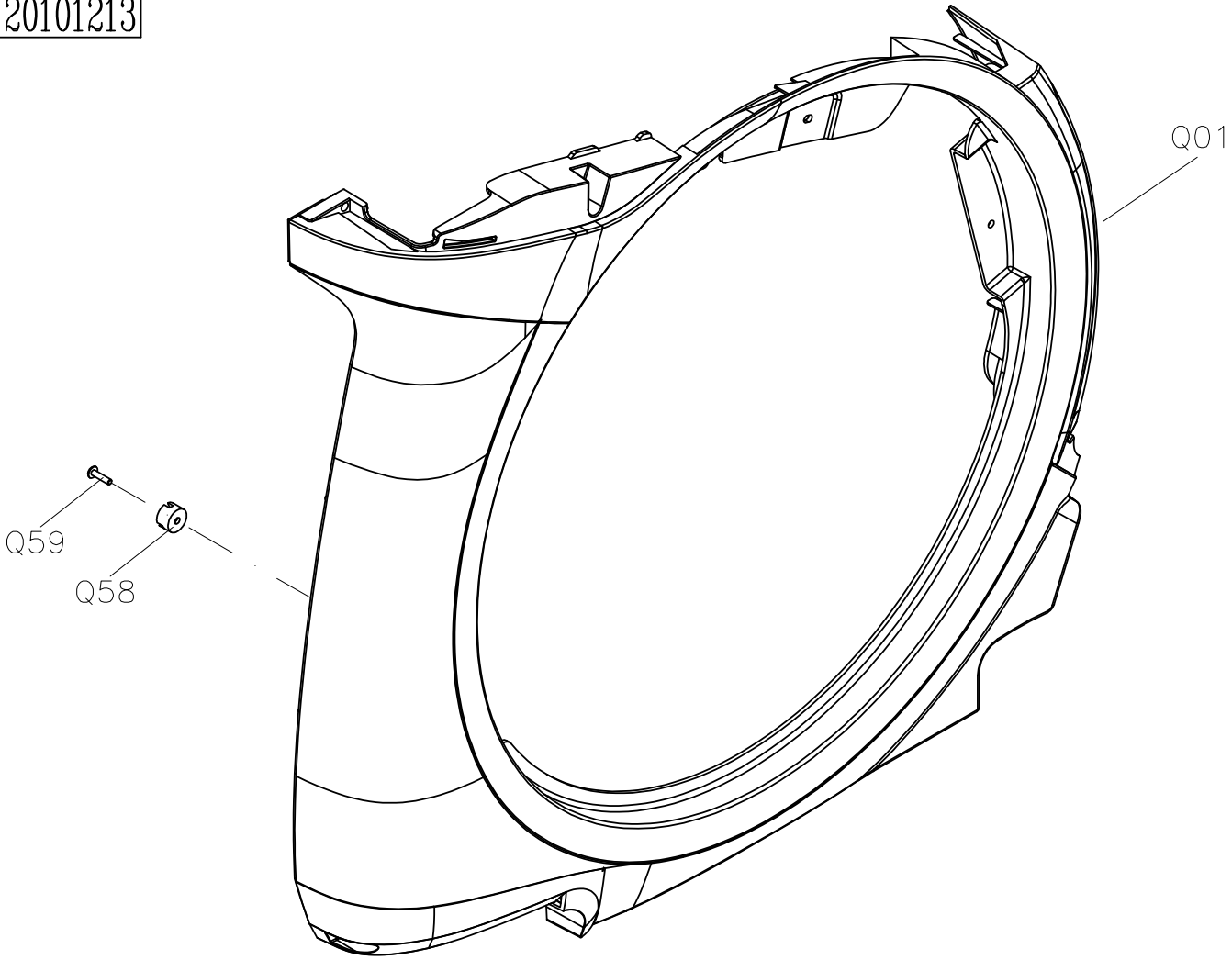
DRAWING NO	EP304-AJ13		
PART NAME	CRANK ROUND DISK SET		
PART NO	1000206970  B		
APPROVE	MAX	DATE	20110630



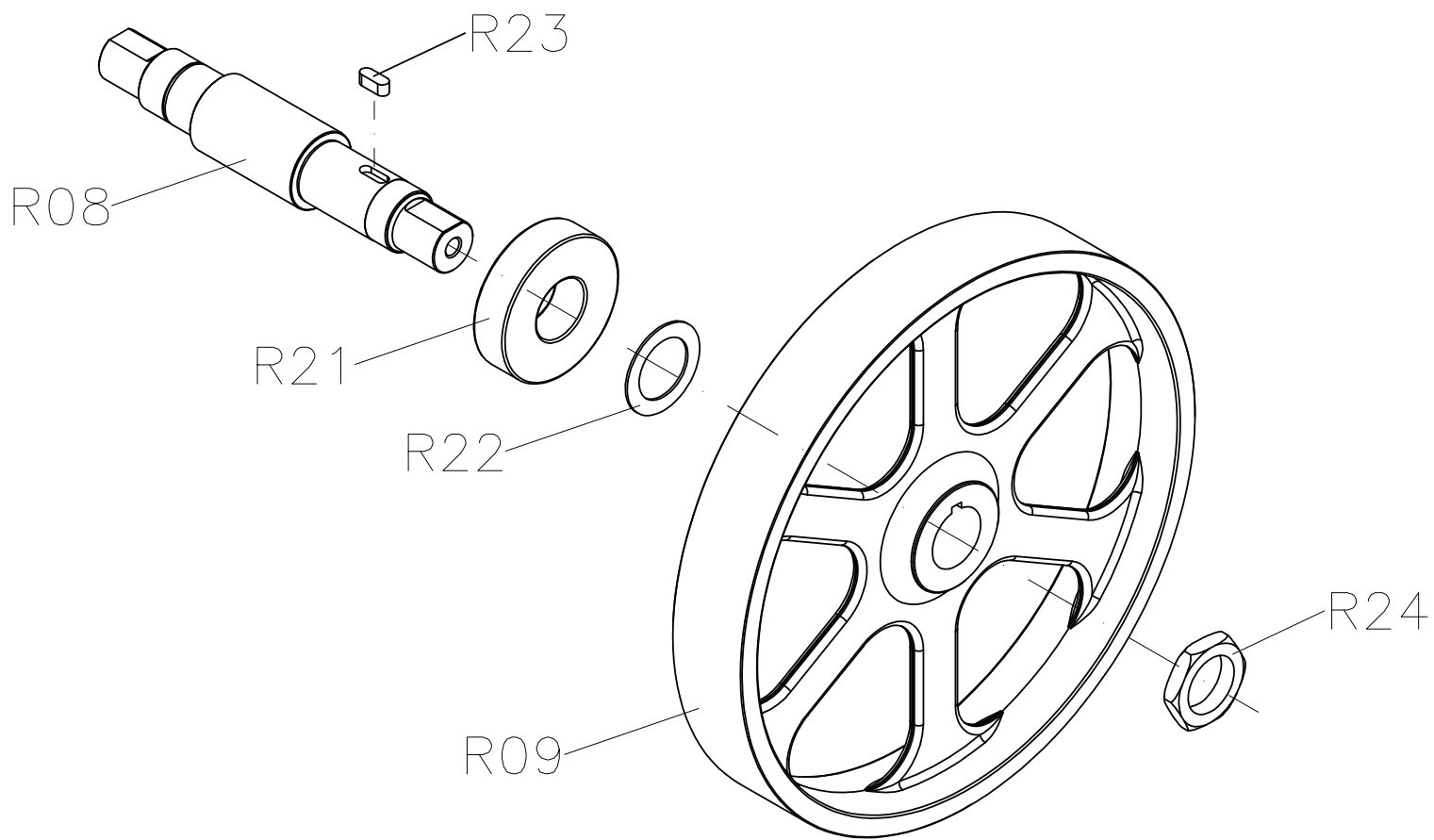
DRAWING NO	EP304-AQ11		
PART NAME	LEFT SIDE COVER SET		
PART NO	0000095068	REV	A
APPROVE	tsaijw	DATE	20101213



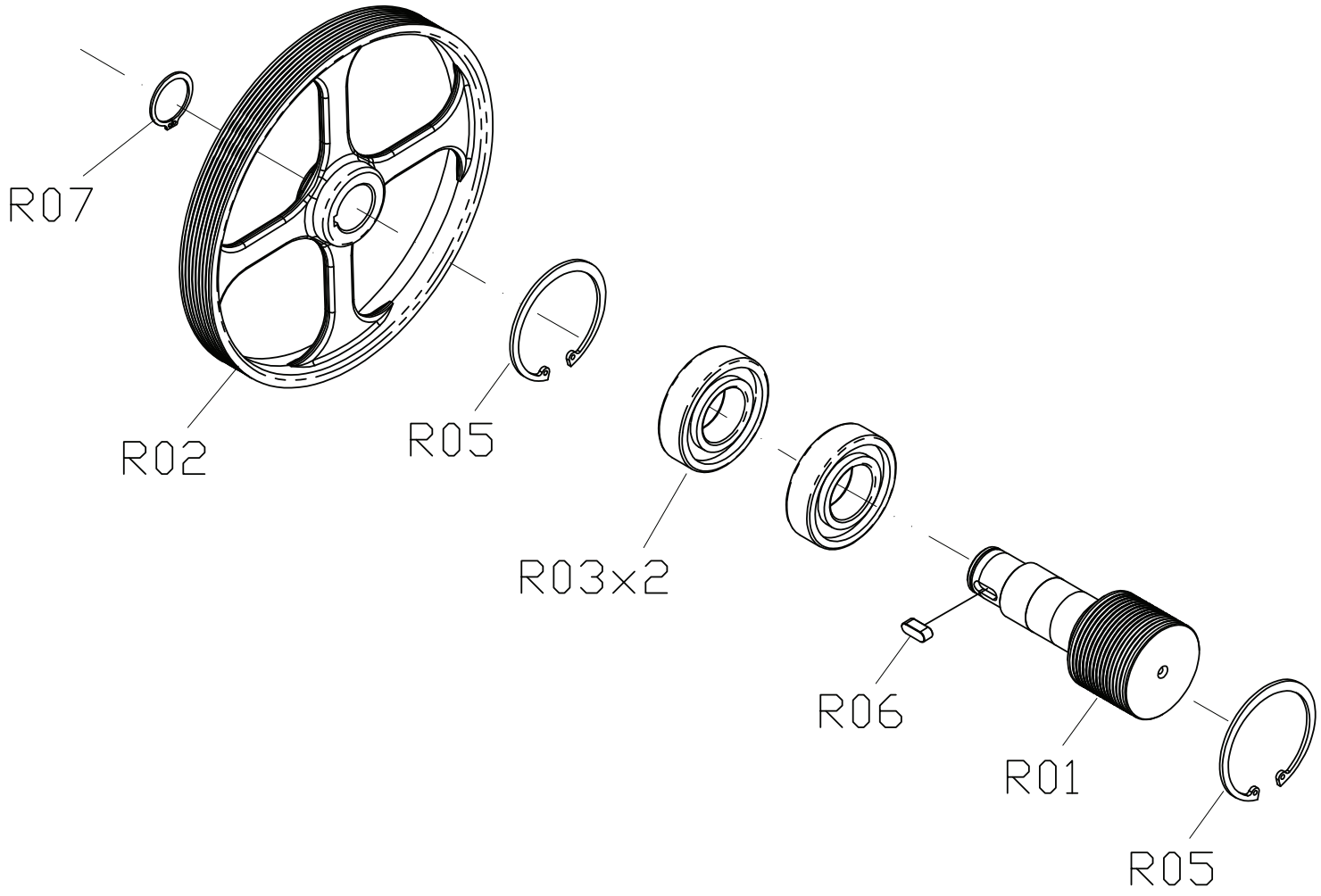
DRAWING NO	EP304-AQ12		
PART NAME	RIGHT SIDE COVER SET		
PART NO	0000095071  A		
APPROVE	tsaijw	DATE	20101213



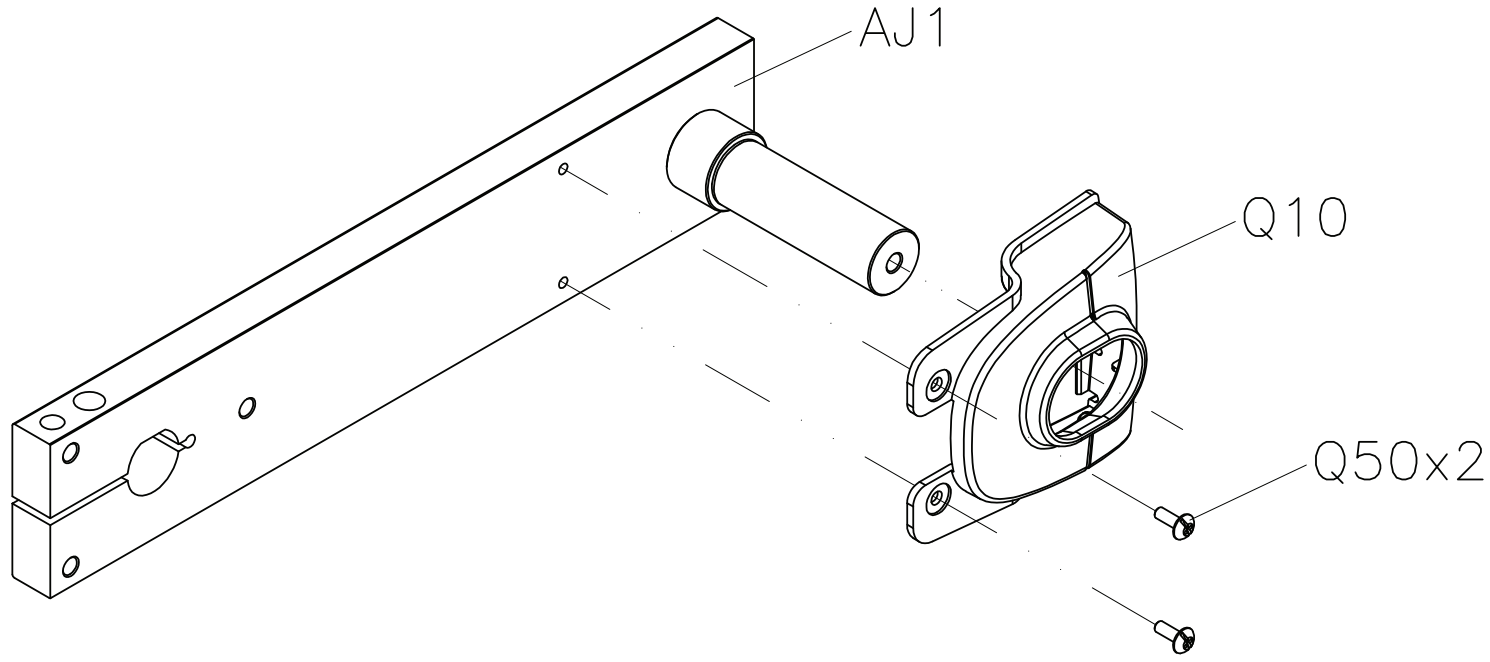
DRAWING NO	EP304-AR5		
PART NAME	DRIVE AXLE SET		
PART NO	1000206975		A
APPROVE	MAX	DATE	20101210



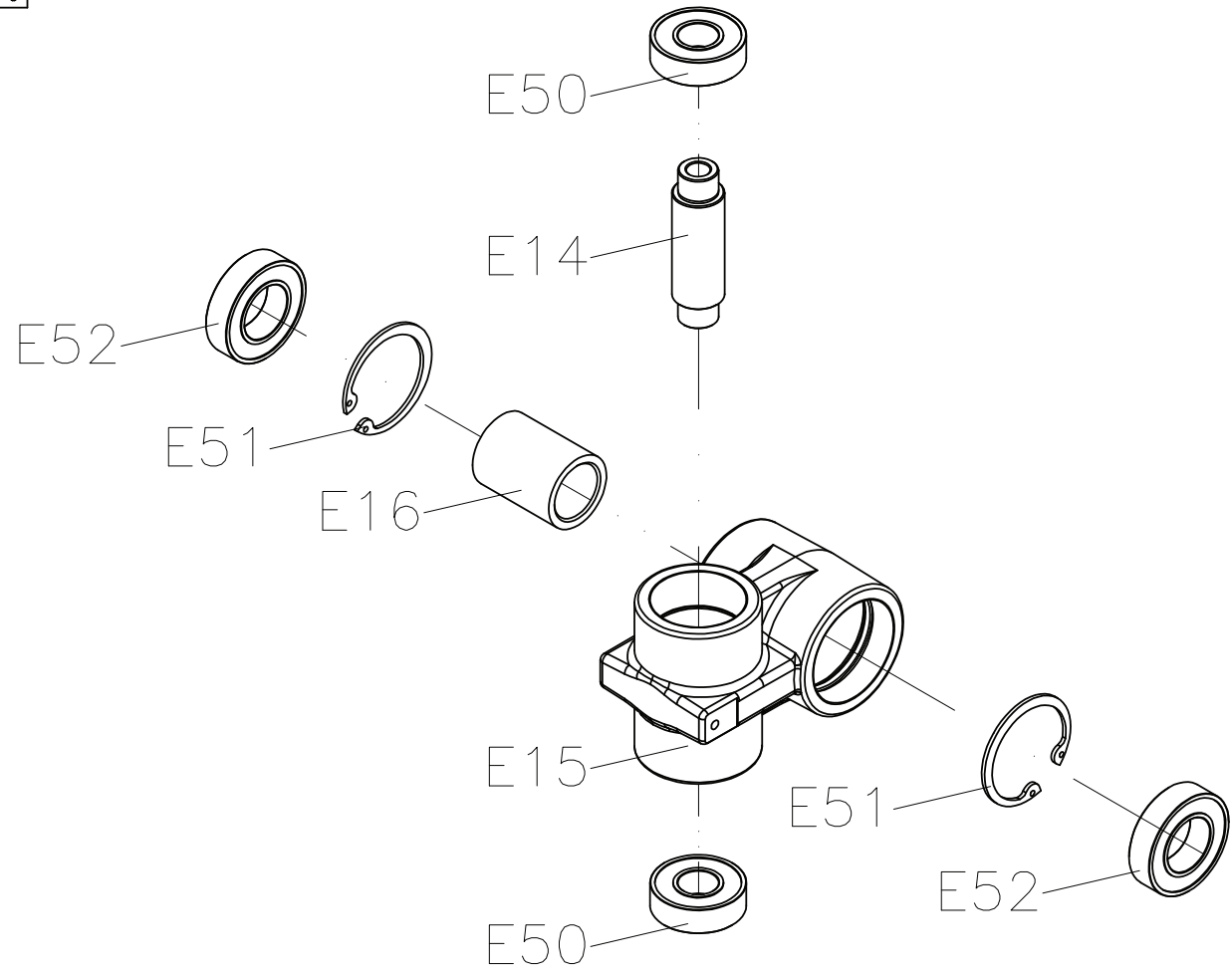
DRAWING NO	EP78-AR11	
PART NAME	PULLEY SET	
PART NO	0000089635	REV B
APPROVE	tsaijw	DATE 112910




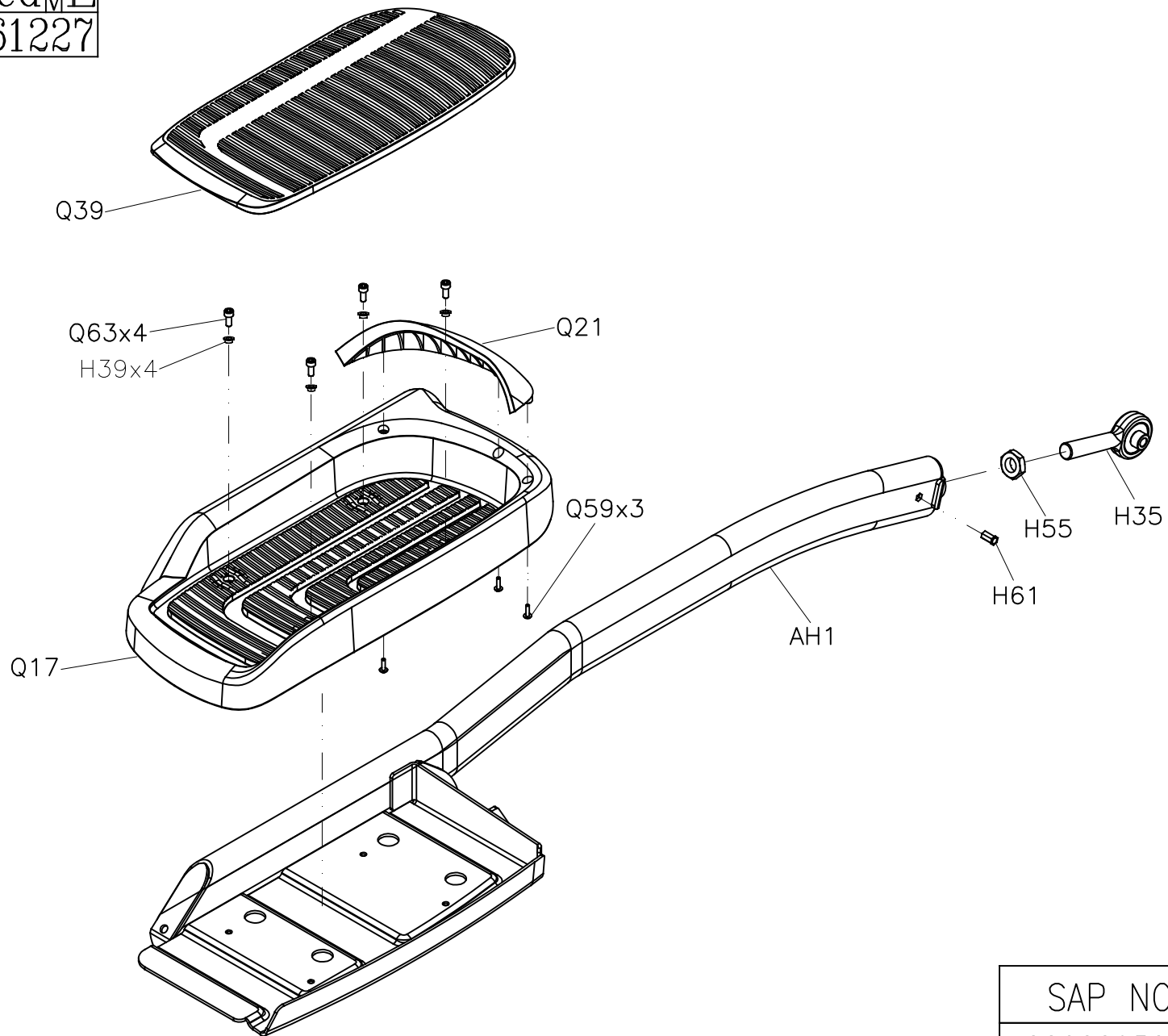
DRAWING NO	EP304-AJ12		
PART NAME	CRANK SET		
PART NO	0000095121REV A		
APPROVE	MAX	DATE	20101210



DRAWING NO	EP79-AE5		
PART NAME	CRANK PIN SLEEVE SET		
PART NO	0000092274 <small>REV</small> B		
APPROVE	MAX	DATE	20101210

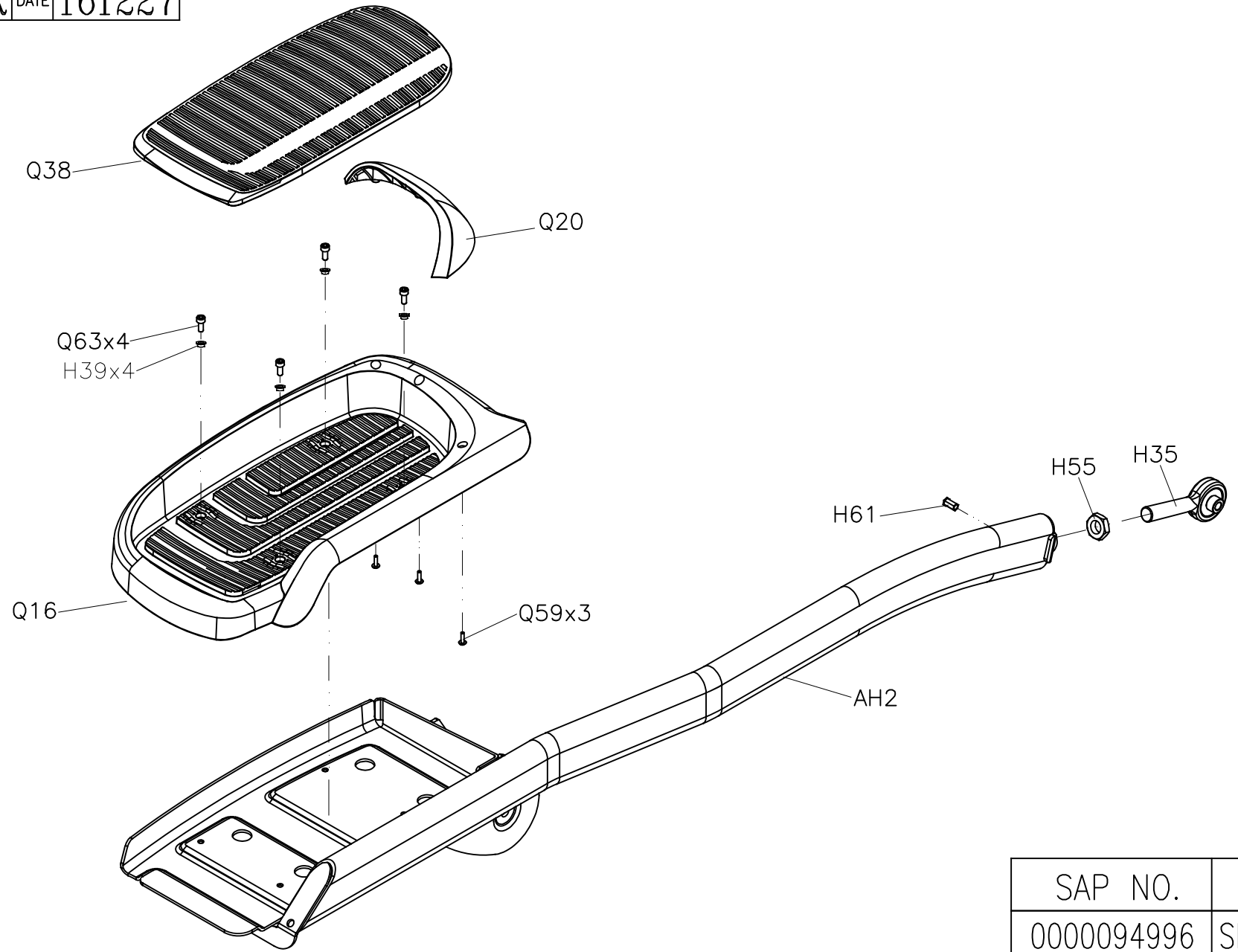


DRAWING NO	EP304-AH22		
PART NAME	LEFT LOWER LINK ARM SET		
PART NO	See attached  E		
APPROVE	AMBER	DATE	161227



SAP NO.	Description
0000095003	SLIVER
1000338516	Matte black

DRAWING NO	EP304-AH21		
PART NAME	RIGHT LOWER LINK ARM SET		
PART NO	See attached  E		
APPROVE	AMBER	DATE	161227



SAP NO.	Description
0000094996	SLIVER
1000338514	Matte black

Console Reference	Part #	Description
AB1	1000226648	CONSOLE Reinforce Tube;PAINTING;BLACK;EP
AN10	0000086724	Cover;Console Display;TV Rack;Printing;T
AN16	1000348670	cover-Extrawork;USB;;Print;;EP619;
AN8	1000362481	Overlay Set;Program;;English;EP622;;key
AN9	1000362459	Overlay Set;Entertainment;;No/English;EP
B11	004979-00	Insert Nut;Hex;NHS-8125-3.0(M8x1.25P)
N151	008864-A	Screw;Special;Round;2.9x1.06Px7L(Hi-Lo)
N27	1000348672	Torsional Spring;;;SUS304;;EP619;
N28	1000348673	Fixing Block;USB;;ABS PA746;Gray/80435;;
N52	1000348668	Console Cover;Service;front;PC510;Gray/8
N53	1000348669	Console Cover;Service;back;ABS PA746;Gra
N54	1000348667	Cover;Console;back;ABS PA746;Gray/80435;
N61	1000357460	Overlay;Program;;French;;EP622;
N82	1000228688	SCREW;BH;M5X0.8PX12L;PH;BAN;
N85	1000231078	SCREW;BH;?X5X1.6PX12L(HI-LO);PH;BZN;
Not Shown	1000366472	WIFI Wireness module Set;;;EP619/EP623;
Not Shown	1000348697	TV Support Bracker Set;;;English/EP619-U
Not Shown	1000362460	Overlay Set;Entertainment;;English;EP619
Not Shown	1000390571	Manual;Manipulate;;English;;EP619;
Not Shown	1000230081	Network signal extend wire;600;(TKP H663
Not Shown	1000206783	E-ORT CONNECT WIRE;400(AMP569532x2);
Not Shown	1000348695	Repair Cover;Earphone;front;PC510;Gray/8
Not Shown	1000362460	Overlay Set;Entertainment;;English;EP619
Not Shown	004475-00	SCREW;SH;M8X1.25PX15L;;HS;;BZN;;
Not Shown	004356-AB	Screw;Phillip;BH;M4x0.7Px12L;BED;
Not Shown	065248-A	TV Coax Adaptor;Female;F-A028-NBX7-C
Not Shown	1000230086	TV PWR EXT;600;(TKP H6630R1-04(PITCH 3.0
Not Shown	1000348689	Earphone board;;;U138A3/H001;;;EP621;
Not Shown	008864-A	Screw;Special;Round;2.9x1.06Px7L(Hi-Lo)
P03	1000210330	Wire;Connect;USB;250(JST,XAP-06V-1)x2;
W04	1000213752	Control Board;USB;H001;U10CA1;
W05	1000208535	Heart Rate Board Set;SALUTRON 8600;EP93C;
W37	056008-A	Ground Wire;Pulse Grip;100L
W45	1000354340	Pulse Sensor;;;;;;250mm(H2510A-06N,TKP,
W51	1000352783	Control Board;Console;;H001/U143A1;V2.2;
W58	1000352790	Quickly Key Wire;;;;;;250(TKP,H254M2-2x
W65	003383-A	Ferrite Choke;FH0900B-2;Lian Ci;TM38
W66	1000352791	Digital COMM;;;;;;400(MOLEX,50-57-9408+
W70	1000348688	Exchanged Board;Keypad;;U143A3/H001;;;EP
Z41	1000366596	Screw;Socket Head;M5x0.8Px12L;;Hex Socke
21	ZMF4001697	Console, Bx HURE-3x RC
21	ZMF4001698	Console, Bx HURE-3x w/ WIFI RC

21	ZMF4001699	Console, Bx HURE-3x w/ 900 RC
N51	1000348662	Cover;Overlay;;PC510;Gray/80435;;EP619;
Not Shown	1000362474	Overlay Set;TV;;French;EP619;;key pad
Not Shown	94425	
Not Shown	89835	
Not Shown	83502	
Not Shown	93219	

Frame Reference	Part #	Description
1	000094938	Console Mast Set;EP304;
1	1000355398	console mast set;;;American Beauty Red;E
1	1000338327	console mast set;;;MATRIX Purple;EP304D;
10	000095003	Link Arm Set;Left;EP304;
11	1000338341	Connection Tube;;right;MATRIX Purple;EP3
12	1000338342	Connection Tube;;left;MATRIX Purple;EP30
12	000095019	Pedal Arm Con Set;;left;;EP304;;
13	000095028	Swing Arm Set;EP304;
15	1000338338	Adjustment Arm Set;;;MATRIX Purple;EP304
15	000095043	Vertical Stabilizer Arm Set;EP304;
17	1000206970	Disk Set;-;EP304;
2	000094984	Pedal Arm Set;Right;EP304;
26	000095068	Side Cover Set;Left;EP304;
27	000095071	Side Cover Set;Right;EP304;
29	1000339505	Transmission set+Tools;;;E-3X/5X/7X-03-F
3	000094991	Pedal Arm Set;Left;EP304;
30	000089635	Pulley Axle Set;S70;US;EP78
32	000095121	Crank Set;EP304;
33	1000347355	Crank Sleeve Set;;;EP304B;;
41	1000209854	Incline arm cover;EP304;
5	000094964	Dual Action Handlebar Set;Right;EP304;
52	000094951	Swivel Axle Set;DA Arm;EP304;
56	1000443389	Heart Sensor Set;Grip;right;;EP304B;
57	1000443390	Heart Sensor Set;Grip;left;;EP304B;
6	000094977	Dual Action Handlebar Set;Left;EP304;
7	000094965	Handlebar Set;EP306;
9	000094996	Link Arm Set;Right;EP304;
AH4	000095010	Pedal Arm Con Set;;right;;EP304;;
B32	000095638	Foot Pad;Adjustable;M12X58H;12.9;EP304;
B51	004980-A	Insert Nut;Hex;NHS-580-3.0(M5X0.8P)
B56	000081761	Leveler;Foot Pad;50X18
B57	000086513	Screw;Hex Socket;Round;M10x1.5Px40L
B58	018653-A	Screw;SH;M8X1.25PX22.5L-8L;CRMO;BAN;
B75	000095596	FIXING PLATE;E-PORT;SPHC 1.6T;EP304;
B77	000859-00	Hole Plug;Nylon66;HP-8;Black

C31	004983-A	Insert Nut;Hex;NKHS-8125-2.5(M8x1.25P)
C32	004980-A	Insert Nut;Hex;NHS-580-3.0(M5X0.8P)
C33	005066-A	Washer;Flat;8.2x20.0x3.0T
C34	0000085361	Screw;Hex Socket;Round;M8x1.25Px20.0L;Ad
C35	0000095600	End Protect Cap;EP-1216;
C38	0000083463	Screw;TH;M8X1.25PX25L;;HS;;CHM;;BP
E08	004077-A2	Ball Bearing;6004ZZ;20X42X12T;;SKF;;;
E09	0000094927	Axle;Link Arm;B;SS41;EP304;
E10	005354-00	C-Clip;Internal;R-42
E14	0000081718	Crank Sleeve Axle;S45C;EP72-E14C;
E16	0000089475	Ring;;;SS41;25.1x44.65;EP72
E50	004080-A2	BEARING;BALL;6203ZZ;#17X#40X12T;;TPI;;;
E51	005356-00	C-Clip;Internal;R-47
E52	004078-A2	Ball Bearing;6005ZZ;Z25XZ47X12T;;TPI;;;
E61	005025-00	Washer;Flat;25.5x38.0x1.5t;Black Zinc
E62	004957-00	Nut;Lock;M25X1.5P;SS41;BAN
G12	008864-A	Screw;Special;Round;2.9x1.06Px7L(Hi-Lo)
G14	1000206773	Pulse Senson Wire;900(TKP H6630R1-06+TKP
G27	004075-A2	BEARING;BALL;6202ZZ;#15X#35X11T;;TPI;;;
G28	005352-00	C-Clip;Internal;R-35
G29	0000094958	Bearing;Needle;HK2518-RS
G30	062710-00	Pin;Spring;SSPR5-12L;
G33	0000095097	Tube Cap;FK01004(38.1)
G34	0000095095	End Cap;Tube;60;EP304
G35	1000206952	Foam;Arm REST;PU;426C/80393;
G36	1000215790	Screw;BH;FLG;M3X0.5PX4L;-;PH;-;BZN;
G37	056550-00	Screw;Umbrella Cross;;M4x0.7Px20L;;Elec
H07	0000095036	Shaft;Swing Arm;SS41;EP304;
H08	1000215716	Axle;SS41;EP304;
H23	0000095050	Swivel Shaft A;SCM440;EP304;
H24	0000095051	Swivel Shaft B;SCM440;EP304;
H34	0000095026	Connection Plate;Incline Arm;SPHC 4.0T;EP304;
H35	1000200519	Rod End Bearing;2201-2RS;12X32X14;-;
H37	020478-00	Washer;Flat;10.2x20.0x2.0T;Black Zinc
H38	0000086127	Nut;HEX;M10X1.5P;10
H39	1000388144	Spacer;;;Stainless;NKL;E-3x/5x/7x-03-F;
H40	1000217119	Ring;QUICK KEY;SS41;-;-;EP304;
H41	0000092805	Bearing;Tapered Roller;(PEER 2204-2RS)
H42	005356-00	C-Clip;Internal;R-47
H43	004081-A2	Ball Bearing;6204ZZ;20x47x14t;TPI
H45	0000082795	Spacing Ring;Bearing;SS41;
H51	0000095048	Bearing;Needle;HK2016
H52	005354-00	C-Clip;Internal;R-42
H55	004911-00	Nut;Hex;M16x2.0Px7.0L;Zn PI

H56	004555-AB	Screw;Hex Socket;Round;M10x1.5Px25L;Cr;A
H57	1000102724	Screw;Hex Socket;Round;M10x1.5Px90L-35L;
H58	1000313183	Screw;Socket Head;M10X1.5PX30L;;Hex Sock
H60	004077-A2	Ball Bearing;6004ZZ;20X42X12T;;SKF;;;
H61	004980-A	Insert Nut;Hex;NHS-580-3.0(M5X0.8P)
H62	004542-AC	Screw;Hex Socket;Round;M10x1.5Px110L;Adh
H63	0000088934	Screw;SH;M10X1.5PX45L-25L;;HS;;;BP;P-T
H64	1000227460	WASHER;FLT;Diam.21.2XDiam.40.0X2.0T;NYL+
H65	1000209856	Nut;CUSTOM;M10X1.5P;S45C;CHM;
H66	1000215738	Cap;Nut;S45C;EP304;
J05	1000210482	Location Plate;Disk;SPCC 1.0T;BED;EP304;
J06	1000210483	Foam;;Single Side;25x25x1.0T;EP304;
J53	004518-00	Screw;SH;M10X1.5PX75L;;HS;;CHM;;
J56	0000095106	Fix Plate;Disc;PAINTING;BL;EP304;
J57	0000089835	Washer;Ribbed lock;8.5x12.8x0.8tx1.3h;
J58	004493-00	Screw;Hex Socket;Round;M8x1.25Px16L
J60	005487-D	Spring;Compress
L01	000041-AA	Transport Wheel
L50	020069-00	Screw;SH;M8X1.25PX12L;HS;BP;G12.9;
L51	005042-00	Washer;Flat;8.2X30.0X2.0T;Black Zinc
L52	005220-00	Washer;Wavy;20.7x29.1x.3T
N05	0000095322	Bracket;Console;ABS/PA746;DG/80435;EP603
N20	1000210480	Grip;Sensor;U;ABS/PA746;80393;EP304;
N21	1000210481	Grip;Sensor;D;ABS/PA746;80393;EP304;
N33	035695-AB	Screw;BH;M4X0.7PX30L;;PH;;BAN;;
Not Shown	1000304310	Documentation;Manual;Assembly;;English;E
Not Shown	1000228041	TV POWER;2600(SCD-554DCS103BB1G H6630P1-
Not Shown	0000093786	TOOL; BELT INSTALLATION8-RIB;SPHC 2.0t;
Not Shown	1000368807	Service Hardware Kit;;;E1x;
Not Shown	1000314760	Cover set;;;Sweat-proof;;EP304;Kits se
Not Shown	0000094424	POWER CORD SET;POWER CORD+Warning Sticke
Not Shown	0000094424	POWER CORD SET;POWER CORD+Warning Sticke
Not Shown	0000094425	Power Cord Set;3000;18AWG
Not Shown	1000412356	Service Set;;;Power - Service KITS SET;
Not Shown	1000426783	Anti-Sweat Cover Set;MCB;A;;E5x(EP304);;
Not Shown	0000086204	Power Cord;Non NEMA;15 feet; 90 DEGREE
P02	1000206778	Ground Wire;100(99470BS42+KST FLDNY2-250-
P06	0000080683	Generator Wire;Generator to LCB;JST VHR-
P08	056006-A	Grip Pulse Extension Wire;1000(5.0 OWzP)
P16	1000443292	Cat6 Network Signal Wire;,,,,,;2600(KINSUN320
P17	065248-A	TV Coax Adaptor;Female;F-A028-NBX7-C
P20	1000309219	Battery;,,,,;WP1.2-12;12V 1.2Ah;
P21	1000209857	Console Wire;1200(MOLEX,50-57-9408x2);EP
P25	1000206786	TV Signal Connect Wire;2600(FM-0086-NBG7

P27	1000211469	Battery Connect Wire;300(KST FDFNYD2-1
P30	0000093219	Jacket;PVC;A5X-03-F;US;EP79
P31	001677-A	Cable Fix Button;KSS/UC-3
P32	003553-D	Power Electric Resistance;Contain Wire
P33	004448-00	SCREW;SH;M5X0.8PX10L;HS;BZN;G12.9;
P35	001220-00	TIE STRAP ADHESIVE;;;KSS UC-1.5/PD02UC;;
P37	004387-AD	SCREW;BH;M5X0.8PX10L;;PH;;BAN;;
P40	1000221126	Mounting Plate;Battery;PAINTING;MATRIX SL
P41	1000228041	TV POWER;2600(SCD-554DCS103BB1G H6630P1-
P43	0000094764	TAPE;FOAM;25x15x3.0T;
P48	1000212436	Wire;Power;450(KST-FLDNY1-250-1x2;JST,VH
P54	004451-00	SCREW;SH;M5X0.8PX20L;HS;BZN;G12.9;
P61	0000093983	Screw;BH;M5X0.8PX65L;;PH;;NKL;
P62	004889-00	Nut;Hex;M5x0.8P;Nickel
P63	0000083692	Washer;TOOTH;M5.3X10X0.6;Nickel
P70	004385-00	Screw;BH;M5X0.8PX12L;;PH;;BAN;;
P73	069904	Ferrite; Cord;FH0650B;CB32-P16A
Q04	1000427089	Cover;;front;ABS/PA746;Gray/60461;;EP304
Q05	0000095074	Cover;Middle Stabilizer;ABS/PA746;80393;EP304;
Q06	0000095075	Cover;Handlebar;Right;ABS/PA746;DG/80435;
Q07	0000095076	Cover;Handlebar;Left;ABS/PA746;DG/80435;
Q08	0000095077	Water Bottle Holder;ABS/PA746;DG/80435;
Q09	0000095103	End Cap,ROUND Plate;ABS/PA746;SL/GY/8054
Q10		
Q12	0000095035	COVER;SWING ARM;ABS/PA746;DG/80435;
Q13	1000215396	Plastic Cover;LARGE;ABS PA746;mpp/80435;
Q16	0000095171	Pedal Plastic;Right;PP-3015;DG/80435;EP308;
Q16	1000404353	Pedal Set;;right;S-BOM;EP304/EP306;
Q17	1000404352	Pedal Set;;left;S-BOM;EP304/EP306;
Q18	0000095201	Cover;Console Mast;EP304;
Q19	1000210484	Bracket;Water Bottle Holder;TPR;426C;80393;EP30
Q20	1000404126	Decorate Cover;Pedal;right;PP;BL/Black C
Q21	1000404128	Decorate Cover;Pedal;left;PP;BL/Black C;
Q22	0000095174	Outside Cover;Handlebar;ABS/PA746;DG/804
Q23	0000095175	Inside Cover;Handlebar;ABS/PA746;DG/8043
Q24	0000095178	Outside Cover;Swing Arm;ABS/PA746;DG/804
Q25	0000095179	Inside Cover;Swing Arm;ABS//PA746;DG/804
Q27	0000095182	Stabilizer Cover;Middle;ABS/PA746;DG/80435;EP
Q28	065383-AA	Pedal Cap;NY(BL);EP76-Q28
Q29	1000210484	Bracket;Water Bottle Holder;TPR;426C;80393;EP30
Q30	0000095100	Cap;Stabilizer;Right-Front;ABS/PA757;P80
Q31	0000094929	Cap;Stabilizer;Left-Front;ABS/PA757;P804
Q32	0000095297	End Cap;Link Arm;ABS/PA746;SL/GY/80547;EP
Q33	0000095180	Spacer;ABS/PA746;BLACK;EP304;

Q35	1000209854	Incline arm cover;EP304;
Q36	1000209855	Hook;Incline Arm Cover;ABS/PA746;SL/GY/80547
Q37	0000095315	Pad;Water Bottle Holder;TPR;426C;80393;EP308
Q38	1000302080	End Cap;Rectangle Tube;-;PP;BL/Black C;5
Q38	0000095200	Cushion;Pedal;Right;NBR;426C;80393;
Q39	0000095209	Cushion;Pedal;Left;NBR;426C;80393;
Q49	1000384823	Screw;Round Head;M5x0.8Px12L;;Phillip;St
Q50	004389-00	Screw;Phillip;BH;M5x0.8Px16L;BED;
Q51	038449-A	Clip;Tapped Hole;FE;M5;YZN
Q52	004385-00	Screw;BH;M5X0.8PX12L;;PH;;BAN;;
Q55	1000414494	Cover;Filter;;PC 510;BL/Black C;;EP304B;
Q56	1000427083	Power cover;;;ABS/PA757;Gray/80435;;EP30
Q57	005845-B	Fix Buckle Base;Nylon;GM01
Q58	005844-B	Fix Buckle Base;PVC;GM01
Q59	008866-A	Screw;Special;Round;4.0x1.34Px12L(Hi-Lo
Q60	004448-00	SCREW;SH;M5X0.8PX10L;HS;BZN;G12.9;
Q61	028555-00	Screw;BH;M5X0.8PX12L;;PH;;BAN;;BP
Q62	1000209852	Plastic Cover;Painting;MATRIX SL/GY/BP-9
Q63	1000211111	Screw;SH;M5X0.8PX12L;-;HS;SSTSUS304;BED;
Q64	004381-00	Screw;Oval Head;M5x0.8Px25L
Q65	1000217120	Washer;FLT;5X10X1.0T;SST;BAN;
Q66	085797	Screw;BH;M5X0.8PX20L;;PH;;BAN;;
Q67	1000203251	Plastic Base;WH;CHF-11E;
Q68	004620-AF	Screw;Umbrella Cross Tapped;4x12L;Gap
Q70	081059	Screw;FH;M3X10L;SM;PH;;;POT
R03	0000090466	Bearing;Ball;6206LUZ(CN);30X62X16T;;TP
R05	005357-00	C-Clip;Internal;R-62
R07	005366-00	C-Clip;External;S-25
R16	0000094297	Drive Belt;Poly-V;460-J16;FGD;Carlisle;
R17	1000207054	Belt;POLY-V;-;1206 J8;FLEXONIC;
R21	0000092813	Bearing;Ball;6306LUZ(C3);;;TPI;;;
R22	005121-00	Washer;Flat;30.3X45.0X1.2T;SPGC
R24	004961-A	Nut;Hex;M30x1.5Px8T
R26	005367-00	C-Clip;External;S-30
S01	012819-00	Generator;210 CE EP MX/600SERIES400W;J
S02	1000232960	Control Board;Generator;;H001;ErP-S100;;
S56	005067-00	Washer;Flat;10.2X15.0X1.5T;Black Zinc
S57	004891-00	Nut;Hex;3/8-26UNCX9H
S61	004454-00	Screw;Round;Hex Socket;M5X0.8PX15L
S62	0000093717	Washer;Ribbed;Lock;10.5X16X1TX1.6H;BED
S63	005078-00	Washer;Flat;5.3x10x1.0T;Black Zinc
S65	020487-ZA	Washer;Flat;10.5x18x2.5T
U01	1000350493	Idler Set;;;Integrated;EP304;
V12	006078-00	Decal;Grounding;TM08

Z12	020478-00	Washer;Flat;10.2x20.0x2.0T;Black Zinc
Z13	0000085361	Screw;Hex Socket;Round;M8x1.25Px20.0L;Ad
Z14	005005-00	Washer;Spring;Lock;8.2x15.4x2.0t
Z16	004539-AD	Screw;Round;Hex Socket;M8X1.25PX25L;Chromed
Z17	0000083458	Washer;Lock;8.2x13.5x2.0t
Z18	004481-00	Screw;Hex Socket;Round;M8x1.25Px45L
Z21	0000089822	Screw;Hex Socket;Round;M10x1.5Px100L
Z22	004885-00	Nut;Hex;M10x1.5P
11	Order Parts Separa	Incline Arm Set;Right;EP304;
41	Order Parts Separa	Incline Arm Cover;EP304;
AB1	N/A	Main Frame Set;EP304
AC1	Part of Kit 1	Console Mast;PAINTING;MATRIX SL/GY/B
AC1	Part of Kit 1	Console Mast;PAINTING;MATRIX SL/GY/B
AE1	Part of Kit 3	Pedal Arm;Left;PAINTING;T75#100909NVP;EP304
AE1	Part of Kit 3	Pedal Arm;Left;PAINTING;T75#100909NVP;EP304
AE2	Part of Kit 2	Pedal Arm;Right;PAINTING;T75#100909NVP;EP304
AE2	Part of Kit 2	Pedal Arm;Right;PAINTING;T75#100909NVP;EP304
AG1	Part of Kit 6	Dual Action Handlebar;Left;T75#100909NVP;EP304;
AG1	Part of Kit 6	Dual Action Handlebar;Left;T75#100909NVP;EP304;
AG2	Part of Kit 5	Dual Action Handlebar;Right;T75#100909NVP;EP304;
AG2	Part of Kit 5	Dual Action Handlebar;Right;T75#100909NVP;EP304;
AG21	Part of Kit 7	Stationary Handlebar;Dipping;EP306;
AG21	Part of Kit 7	Stationary Handlebar;Dipping;EP306;
AG6	Part of Kit 52	Swivel Axle;DA Arm;PAINTING;BL;EP304;
AG6	Part of Kit 52	Swivel Axle;DA Arm;PAINTING;BL;EP304;
AH1	Part of Kit 10	Link Arm;Left;T75#100909NVP;EP304;
AH1	Part of Kit 10	Link Arm;Left;T75#100909NVP;EP304;
AH11	Part of Kit 15	Vertical Stabilizer Arm; SL/GY/BP-920S;E
AH11	Part of Kit 15	Vertical Stabilizer Arm; SL/GY/BP-920S;E
AH2	Part of Kit 9	Link Arm;Right;T75#100909NVP;EP304;
AH2	Part of Kit 9	Link Arm;Right;T75#100909NVP;EP304;
AH3	Order Kit 12	CON TUBE SET;;L
AH8	Part of Kit 13	Swing Arm;PAINTIING;T75#100909NVP;EP304;
AH8	Part of Kit 13	Swing Arm;PAINTIING;T75#100909NVP;EP304;
AJ1	Part of Kit 32	Crank;PAINTING;BL;EP304;
AJ1	Part of Kit 32	Crank;PAINTING;BL;EP304;
AP15	N/A	Hub group;Power supply;;;EP304B;
E15	Part of Kit 33	Crank Sleeve;FCD45;BED;A5X-03;US;EP7
E15	Part of Kit 33	Crank Sleeve;FCD45;BED;A5X-03;US;EP7
N201	Part of Kit 56 or 57	Grip;Sensor;Upper;ABS/PA746+SUS304;;DG/80435
N201	Part of Kit 56 or 57	Grip;Sensor;Upper;ABS/PA746+SUS304;;DG/80435
N202	Part of Kit 56 or 57	Grip;Sensor;Lower;ABS/PA746+SUS304;DG/80435;
N202	Part of Kit 56 or 57	Grip;Sensor;Lower;ABS/PA746+SUS304;DG/80435;
N24	N/A	Control Board;Quick Key;U109A1;H001;EP30

P05	N/A	Filter Board Set;;;L178A1 H001;;;EP304B;
P50	1000302831	Covering Board;MCB;;SECC;1.0T;EP304
P50	1000302831	Covering Board;MCB;;SECC;1.0T;EP304
P71	N/A	Tie Strap;PUSH MOUNT;KSS P
P71	N/A	Tie Strap;PUSH MOUNT;KSS P
Q01	Part of Kit 27	Side Cover;Right;ABS/PA746;DG/80435;EP304;
Q01	Part of Kit 27	Side Cover;Right;ABS/PA746;DG/80435;EP304;
Q02	Part of Kit 26	Side Cover;Left;ABS/PA746;DG/80435;EP304;
Q02	Part of Kit 26	Side Cover;Left;ABS/PA746;DG/80435;EP304;
Q03	Part of Kit 17	Disk;PAINTING;MATRIX SL/GY/BP-920S;EP304
Q03	Part of Kit 17	Disk;PAINTING;MATRIX SL/GY/BP-920S;EP304
R01	Part of Kit 30	Axle;Pulley;S45C;S70;US;EP78
R01	Part of Kit 30	Axle;Pulley;S45C;S70;US;EP78
R02	Part of Kit 30	Pulley;Poly-V;;;FC25;J8198;;S70
R02	Part of Kit 30	Pulley;Poly-V;;;FC25;J8198;;S70
R08	Part of Kit 29	Transmission Set;-;EP304;-;
R08	Part of Kit 29	Transmission Set;-;EP304;-;
R09	Part of Kit 29	Pulley;POLY-V;;;FC25;282;;S70
R09	Part of Kit 29	Pulley;POLY-V;;;FC25;282;;S70
V04	N/A	Decal;Handlebar;Left;BLUE WORD/WHITE BAS
V04	N/A	Decal;Handlebar;Left;BLUE WORD/WHITE BAS
V05	N/A	Decal;Handlebar;Right;RED WORD/WHITE BAS
V05	N/A	Decal;Handlebar;Right;RED WORD/WHITE BAS
29	1000206975	Drive Axle Set;-;EP304;-;
56	1000302039	Heart Sensor Set;Grip;right;;CB93;;
56	1000206953	HR Grip Set;Right;ENG;QUICKLY KEY;EP304;
56	1000302039	Heart Sensor Set;Grip;right;;CB93;;
57	1000302043	Heart Sensor Set;Grip;left;;CB93;;
57	1000206959	HR Grip Set;Left;ENG;QUICKLY KEY;EP304;
57	1000302043	Heart Sensor Set;Grip;left;;CB93;;
AD8	1000302045	Overlay Set;Quickly Key;left;PET/A180L;E
AD8	1000206961	Overlay Set;Quick Key;Left;ENG;EP304
AD8	1000302045	Overlay Set;Quickly Key;left;PET/A180L;E
AD9	1000302041	Overlay Set;Quickly Key;right;PET/A180L;
AD9	1000206957	Overlay Set;Quick Key;Right;ENG;EP304
AH3	0000095020	Horizontal Stabilizer Arm;Left;SL/GY/BP-920S
AH4	0000095011	CON TUBE SET;;R;painting;BP-920S;MATRIX/
AT4	0000093737	Tension Wheel Set;Idler
B56	0000081761	Leveler;Foot Pad;50X18
B57	0000086513	Screw;Hex Socket;Round;M10x1.5Px40L
B58	018653-A	Screw;SH;M8X1.25PX22.5L-8L;CRMO;BAN;
B75	0000095596	FIXING PLATE;E-PORT;SPHC 1.6T;EP304;
B77	000859-00	Hole Plug;Nylon66;HP-8;Black
C31	004983-A	Insert Nut;Hex;NKHS-8125-2.5(M8x1.25P)

C32	004980-A	Insert Nut;Hex;NHS-580-3.0(M5X0.8P)
C33	005066-A	Washer;Flat;8.2x20.0x3.0T
C34	0000085361	Screw;Hex Socket;Round;M8x1.25Px20.0L;Ad
C35	0000095600	End Protect Cap;EP-1216;
C38	0000083463	Screw;TH;M8X1.25PX25L;;HS;;CHM;;BP
C40	001597-A	GROMMET;NYLON;WHT
C40	001597-A	GROMMET;NYLON;WHT
E08	004077-A2	Ball Bearing;6004ZZ;20X42X12T;;SKF;;;
E09	0000094927	Axle;Link Arm;B;SS41;EP304;
E10	005354-00	C-Clip;Internal;R-42
E16	0000089475	Ring;;;SS41;25.1x44.65;EP72
E50	004080-A2	BEARING;BALL;6203ZZ;#17X#40X12T;;TPI;;;
E51	005356-00	C-Clip;Internal;R-47
E52	004078-00	Ball Bearing;6005ZZ;25X47X12T;;SKF;;;
E52	004078-A2	Ball Bearing;6005ZZ;Z25XZ47X12T;;TPI;;;
E52	004078-A2	Ball Bearing;6005ZZ;Z25XZ47X12T;;TPI;;;
E52	004078-00	Ball Bearing;6005ZZ;25X47X12T;;SKF;;;
E61	005025-00	Washer;Flat;25.5x38.0x1.5t;Black Zinc
E62	004957-00	Nut;Lock;M25X1.5P;SS41;BAN
G12	008864-A	Screw;Special;Round;2.9x1.06Px7L(Hi-Lo)
G14	1000206773	Pulse Sensor Wire;900(TKP H6630R1-06+TKP
G27	004075-A2	BEARING;BALL;6202ZZ;#15X#35X11T;;TPI;;;
G28	005352-00	C-Clip;Internal;R-35
G29	0000094958	Bearing;Needle;HK2518-RS
G30	062710-00	Pin;Spring;SSPR5-12L;
G33	0000095097	Tube Cap;FK01004(38.1)
G34	0000095095	End Cap;Tube;60;EP304
G35	1000206952	Foam;Arm REST;PU;426C/80393;
G36	1000215790	Screw;BH;FLG;M3X0.5PX4L;-;PH;-;BZN;
G37	056550-00	Screw;Umbrella Cross;;M4x0.7Px20L;;Elec
H07	0000095036	Shaft;Swing Arm;SS41;EP304;
H08	1000215716	Axle;SS41;EP304;
H23	0000095050	Swivel Shaft A;SCM440;EP304;
H24	0000095051	Swivel Shaft B;SCM440;EP304;
H34	0000095026	Connection Plate;Incline Arm;SPHC 4.0T;EP304;
H35	1000200519	Rod End Bearing;2201-2RS;12X32X14;-;
H37	020477-00	Washer;Flat;10.2X20.0X2.0T;Black Zinc
H37	020477-00	Washer;Flat;10.2X20.0X2.0T;Black Zinc
H55	004911-00X	Nut;Hex;M16X2.0PX7.0T;Zinc
H64	1000206967	Washer;Flat;;PTFE;20.2x40.0x2.0T;;;
Not Shown	002787-C	Power Cord;External(USA);3000,14AWG;110V(nema)
Not Shown	002787-C	Power Cord;External(USA);3000,14AWG;110V(nema)
Not Shown	061769-B	Power Cord;NEMA;15 feet; 90 DEGREE
Not Shown	0000094817	Drive Axle Service Kit;S70;US;EP78

Not Shown	0000095079	Assembly Manual;ENG;EP304;
Not Shown	061769-B	Power Cord;NEMA;15 feet; 90 DEGREE
Not Shown	0000095079	Assembly Manual;ENG;EP304;
P05	1000302622	Filter Board Set;;;L063B2 H002;;;EP304;
P16	1000209243	Cat5 Net Connect Wire;2600(3205645600+TKP H66
P20	059857-A	Battery;12V
P36	001678-A	Cable Fix Button;KSS/UC-2
Q10	0000095066	Boot;Crank;ABS/PA746;DG/80435;
Q12	1000206966	Sleeve;Swing Arm;Painting;MATRIX SL/GY/B
Q16	0000095099	Pedal;Right;DG/80435;EP304;
Q16	1000404353	Pedal Set;;right;S-BOM;EP304/EP306;
Q16	0000095099	Pedal;Right;DG/80435;EP304;
Q17	0000095096	Pedal;Left;PP-3015;DG/80435;EP304;
Q17	0000095096	Pedal;Left;PP-3015;DG/80435;EP304;
Q35	1000206965	Arm Rest Cover;Right;ABS/PA746;DG/80435
Q52	004385-AE	Screw;Phillip;BH;M5x0.8Px12L;BED;Gap;
Q60	004448-00	SCREW;SH;M5X0.8PX10L;HS;BZN;G12.9;
Q62	1000209852	Plastic Cover;Painting;MATRIX SL/GY/BP-9
Q65	1000217120	Washer;FLT;5X10X1.0T;SST;BAN;
R06	004990-00	Key;Round;Dual End;6X6X16L
R07	008678-A	Clamp;External;C-Shaped;S-25;
R23	004990-00	Key;Round;Dual End;6X6X16L
S01	0000089783	Generator Set
S02	0000090968	Lower Control Board;H004S004;MX-E5XC-F;
S02	0000090968	Lower Control Board;H004S004;MX-E5XC-F;
S65	020487-A	Washer;Flat;10.5X18.0X2.6T
V12	006078-00	Decal;Grounding;TM08
Z12	020477-00	Washer;Flat;10.2X20.0X2.0T;Black Zinc
Z14	005021-A	Washer;Spring;8.2X15.4X2.0T